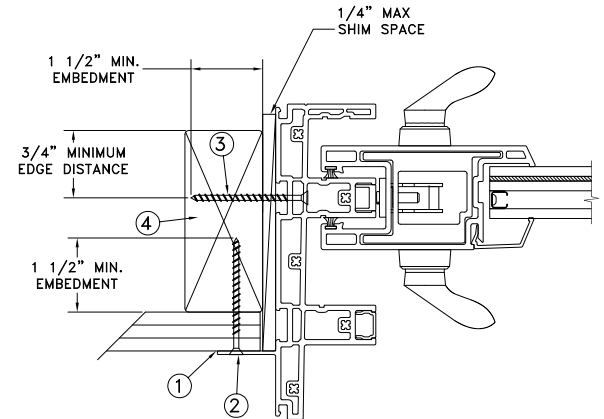
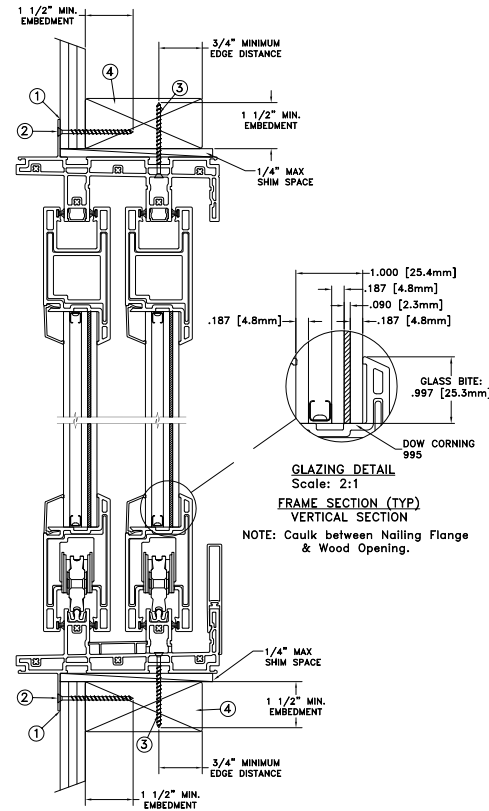
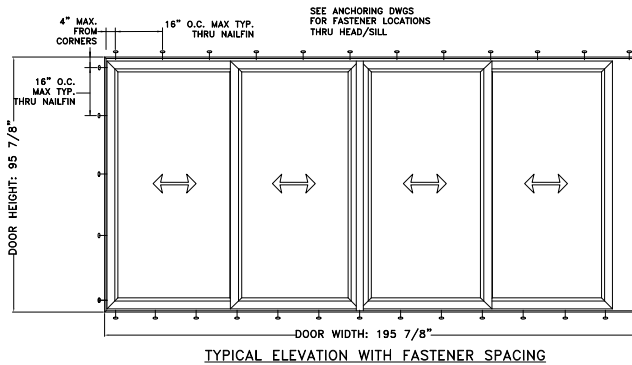


# NAILFIN / THRU JAMB INSTALLATION



FRAME JAMB SECTION (TYP)  
HORIZONTAL SECTION  
NOTE: Caulk between Nailing Flange & Wood Opening.

Max Frame	DP	IMPACT
195 7/8 x 95 7/8	+65/-70	YES

## Installation Notes:

1. Seal flange/frame to substrate.
2. Use #8 PH or greater fastener through the nailfin with sufficient length to penetrate a minimum of 1 1/2" into the wood framing. For 2x wood frame substrate (min. S.G. = 0.42)
3. Use #8 PH or greater fastener through the pre-drilled holes in the head/sill tracks at the center (2) towers with sufficient length to penetrate a minimum of 1 1/2" into the wood framing. See additional details for location and spacing.
4. Host structure (wood buck, masonry, steel) to be designed and anchored to properly transfer all loads to the structure. The host structure is the responsibility of the architect or engineer of record for the project of installation.

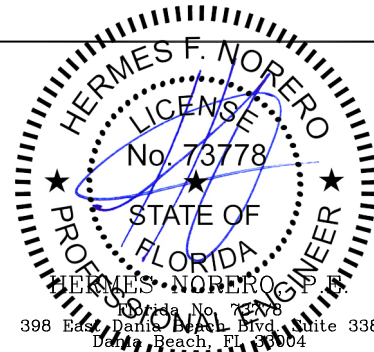
## General Notes:

1. The product shown herein is designed, tested and manufactured to comply with the wind load criteria of the adopted International Building Code (IBC), the International Residential Code (IRC), the Florida Building Code (FBC) and the industry requirement for the stated conditions.
2. All glazing shall conform to ASTM E1300.
3. At minimum, glazing is 4.8mm tempered - 10.0mm airspace - 4.8mm annealed - 2.3mm SGP Interlayer by Dupont - 4.8mm annealed insulating glass.
4. Use structural or composite shims where required.

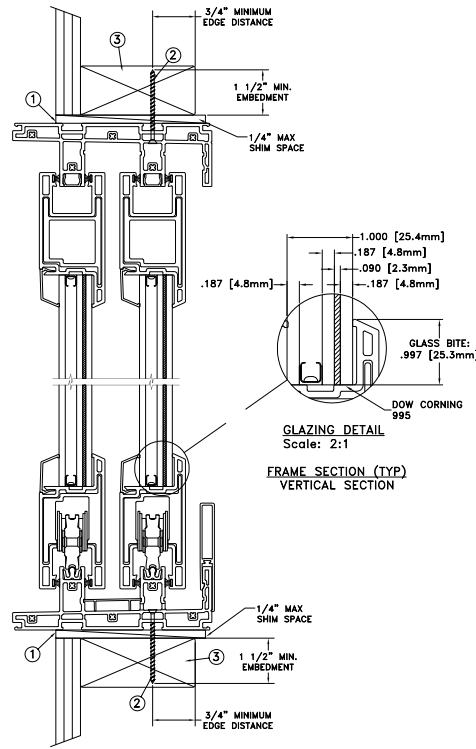
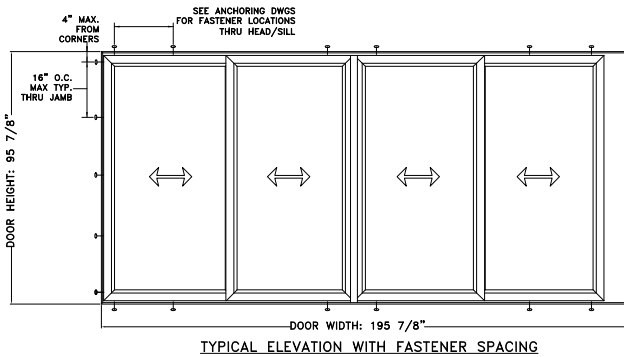
This schedule addresses only the fasteners required to anchor the unit to achieve the rated design pressure and impact performance (where applicable) up to the size limitations noted. It is not intended as a guide to the installation process and does not address the sealing consideration that may arise in different wall conditions. For the complete installation procedure, see the instructions packaged with the unit or go to [www.jeld-wen.com/resources/installation](http://www.jeld-wen.com/resources/installation).

## DISCLAIMER:

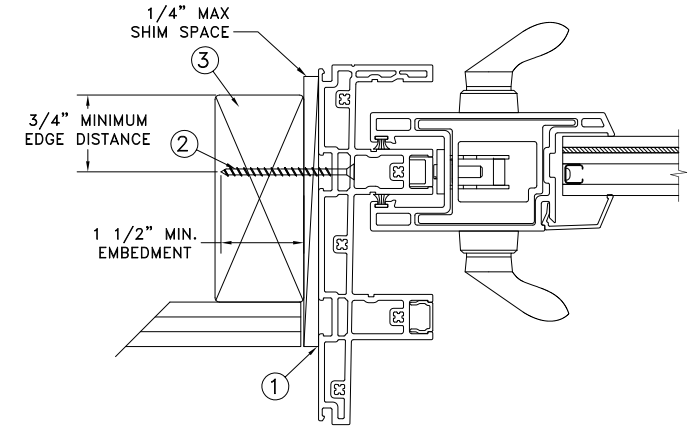
This drawing and its contents are confidential and are not to be reproduced or copied in whole or in part or used or disclosed to others except as authorized by JELD-WEN Inc.



PROJECT ENGINEER:	DATE:	3737 LAKEPORT BLVD.	
	07/24/2017	KLAMATH FALLS OR, 97601	
DRAWN BY:	SCALE:	PHONE: (800) 535-3936	
J.HAWKINS	NTS		
CHECKED BY:	TITLE:	Premium Vinyl Multi-Slide Patio Door - HVHZ 4-Panel 2-Track XXXP Jamb	
D.CROWELL			
APPROVED BY:			
J.GOOSSEN			
PART/PROJECT No.:			
D014778			
IDENTIFIER No.	PLANT NAME AND LOCATION:	CAD DWG. No.:	REV:
110-16-158	Venice-FL	PremVinylMTSLDR2 Cert	A
			SHEET



## THRU JAMB INSTALLATION



Max Frame	DP	IMPACT
195 7/8 x 95 7/8	+65/-70	YES

### Installation Notes:

1. Seal flange/frame to substrate.
2. Use #8 PH or greater fastener through the pre-drilled holes in the head/sill tracks at the center (2) towers with sufficient length to penetrate a minimum of 1 1/2" into the wood framing. See additional details for location and spacing. For 2X wood frame substrate (min. SG = 0.42)
3. Host structure (wood buck, masonry, steel) to be designed and anchored to properly transfer all loads to the structure. The host structure is the responsibility of the architect or engineer of record for the project of installation.

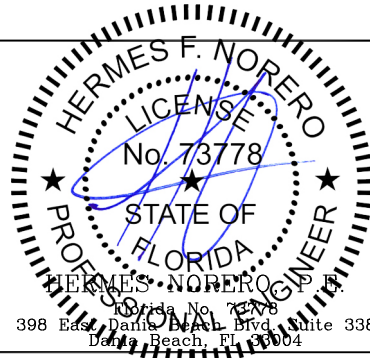
### General Notes:

1. The product shown herein is designed, tested and manufactured to comply with the wind load criteria of the adopted International Building Code (IBC), the International Residential Code (IRC), the Florida Building Code (FBC) and the industry requirement for the stated conditions.
2. All glazing shall conform to ASTM E1300.
3. At minimum, glazing is 4.8mm tempered - 10.0mm airspace - 4.8mm annealed - 2.3mm SGP Interlayer by Dupont - 4.8mm annealed insulating glass.
4. Use structural or composite shims where required.

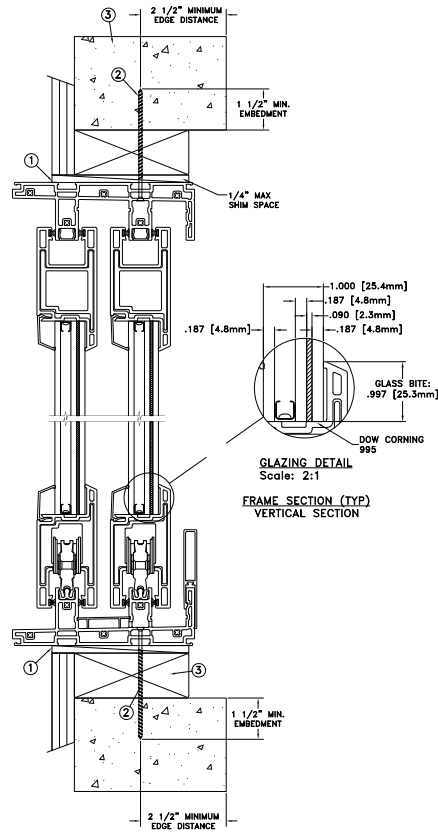
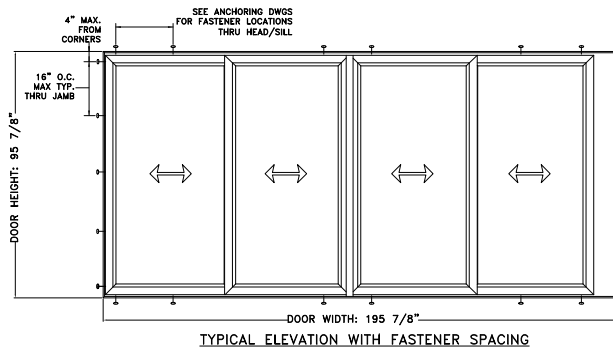
This schedule addresses only the fasteners required to anchor the unit to achieve the rated design pressure and impact performance (where applicable) up to the size limitations noted. It is not intended as a guide to the installation process and does not address the sealing consideration that may arise in different wall conditions. For the complete installation procedure, see the instructions packaged with the unit or go to [www.jeld-wen.com/resources/installation](http://www.jeld-wen.com/resources/installation).

#### DISCLAIMER:

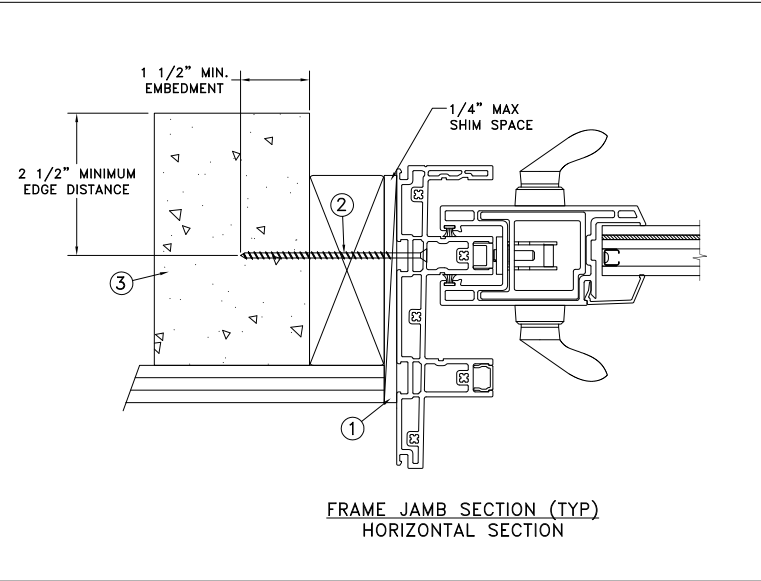
This drawing and its contents are confidential and are not to be reproduced or copied in whole or in part or used or disclosed to others except as authorized by JELD-WEN Inc.



PROJECT ENGINEER:	DATE:	3737 LAKEPORT BLVD.	
	07/24/2017	KLAMATH FALLS OR, 97601	
DRAWN BY:	SCALE:	PHONE: (800) 535-3936	
J.HAWKINS	NTS		
CHECKED BY:	TITLE:	Premium Vinyl Multi-Slide Patio Door - HVHZ 4-Panel 2-Track XXXP Jamb	
D.CROWELL			
APPROVED BY:			
J.GOOSSEN			
PART/PROJECT No.:			
D014778			
IDENTIFIER No.	PLANT NAME AND LOCATION:	CAD DWG. No.:	REV:
110-16-158	Venice-FL	PremVinylMTSLDR2 Cert	A
			SHEET



CONCRETE/MASONRY INSTALLATION



Max Frame	DP	IMPACT
195 7/8 x 95 7/8	+65/-70	YES

**Installation Notes:**

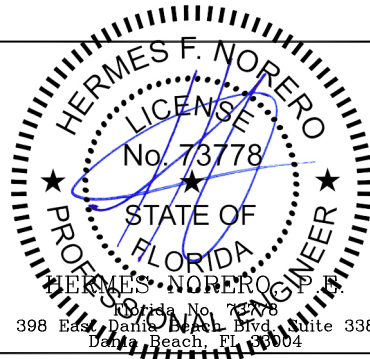
1. Seal flange/frame to substrate.
2. Use 3/16" Tapcon or equivalent fasteners through the pre-drilled holes in the head/sill tracks at the center (2) towers with sufficient length to penetrate a minimum of 1 1/2" into concrete or masonry at each location with a 2 1/2" min. from edge distance. For concrete (min. fc = 3000 psi) or masonry substrate (CMU shall adhere to ASTM C90).
3. Host structure (wood buck, masonry, steel) to be designed and anchored to properly transfer all loads to the structure. The host structure is the responsibility of the architect or engineer of record for the project of installation.

**General Notes:**

1. The product shown herein is designed, tested and manufactured to comply with the wind load criteria of the adopted International Building Code (IBC), the International Residential Code (IRC), the Florida Building Code (FBC) and the industry requirement for the stated conditions.
2. All glazing shall conform to ASTM E1300.
3. At minimum, glazing is 4.8mm tempered - 10.0mm airspace - 4.8mm annealed - 2.3mm SGP Interlayer by Dupont - 4.8mm annealed insulating glass.
4. Use structural or composite shims where required.

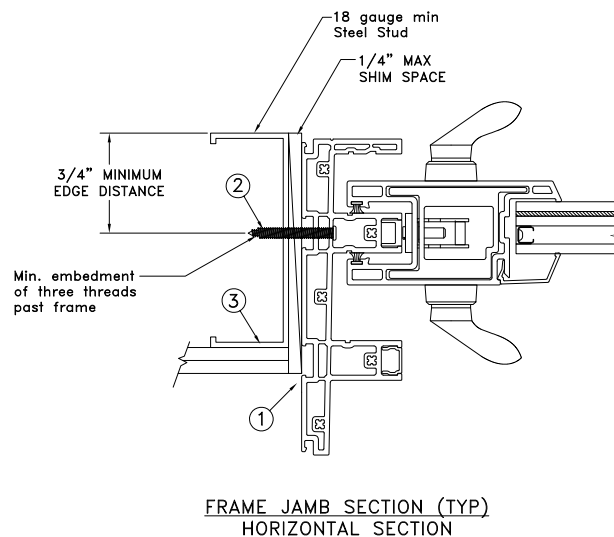
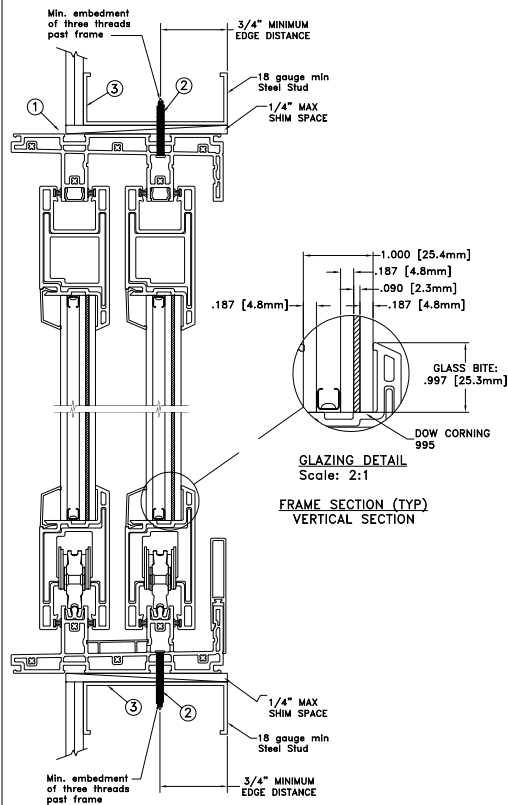
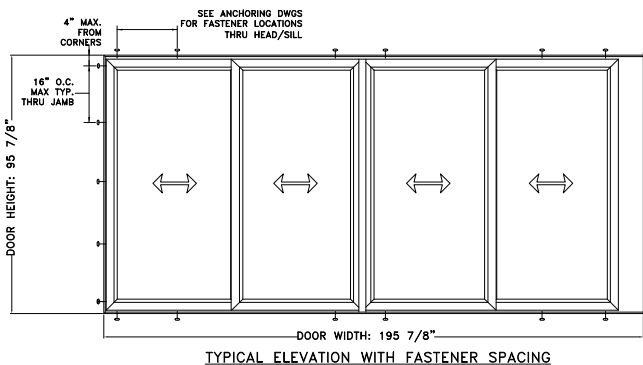
This schedule addresses only the fasteners required to anchor the unit to achieve the rated design pressure and impact performance (where applicable) up to the size limitations noted. It is not intended as a guide to the installation process and does not address the sealing consideration that may arise in different wall conditions. For the complete installation procedure, see the instructions packaged with the unit or go to [www.jeld-wen.com/resources/installation](http://www.jeld-wen.com/resources/installation).

**DISCLAIMER:**  
This drawing and its contents are confidential and are not to be reproduced or copied in whole or in part or used or disclosed to others except as authorized by JELD-WEN Inc.



PROJECT ENGINEER:	DATE:	<b>JELD WEN</b> 3737 LAKEPORT BLVD. KLAMATH FALLS OR, 97601 PHONE: (800) 535-3936		
DRAWN BY:	SCALE:			
CHECKED BY:	TITLE:	Premium Vinyl Multi-Slide Patio Door - HVHZ 4-Panel 2-Track XXXP Jamb		
APPROVED BY:				
PART/PROJECT No.:				
IDENTIFIER No.	PLANT NAME AND LOCATION:	CAD DWG. No.:	REV:	SHEET
110-16-158	Venice-FL	PremVinylMTSLDR2 Cert	A	

STEEL INSTALLATION



Max Frame	DP	IMPACT
195 7/8 x 95 7/8	+65/-70	YES

Installation Notes:

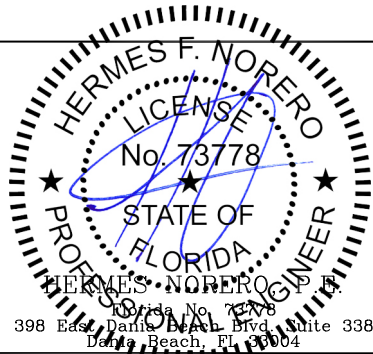
1. Seal flange/frame to substrate.
2. For anchoring into metal framing use #8 TEK Self-Tapping screws with sufficient length to achieve a minimum embedment of three threads past the frame thickness. Steel substrate min. 18ga., fy = 33 ksi.
3. Host structure (wood buck, masonry, steel) to be designed and anchored to properly transfer all loads to the structure. The host structure is the responsibility of the architect or engineer of record for the project of installation.

General Notes:

1. The product shown herein is designed, tested and manufactured to comply with the wind load criteria of the adopted International Building Code (IBC), the International Residential Code (IRC), the Florida Building Code (FBC) and the industry requirement for the stated conditions.
2. All glazing shall conform to ASTM E1300.
3. At minimum, glazing is 4.8mm tempered - 10.0mm airspace - 4.8mm annealed - 2.3mm SGP Interlayer by Dupont - 4.8mm annealed insulating glass.
4. Use structural or composite shims where required.

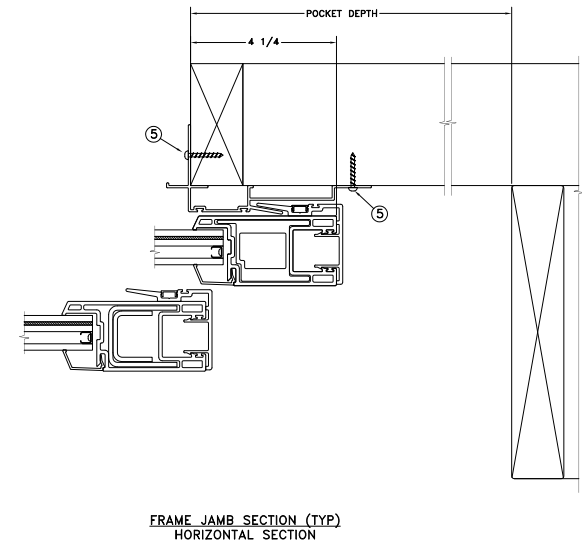
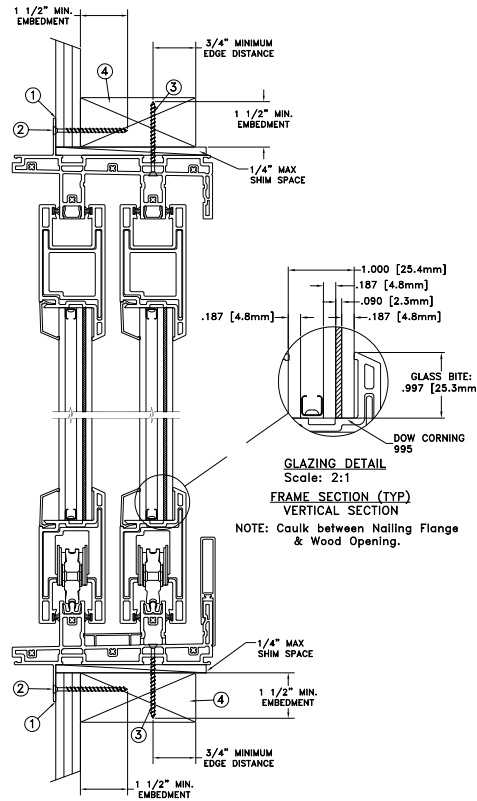
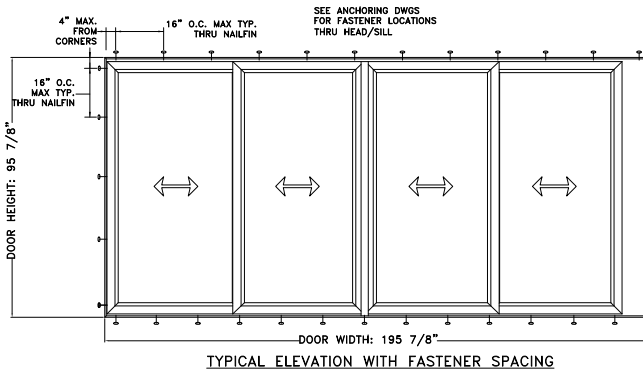
This schedule addresses only the fasteners required to anchor the unit to achieve the rated design pressure and impact performance (where applicable) up to the size limitations noted. It is not intended as a guide to the installation process and does not address the sealing consideration that may arise in different wall conditions. For the complete installation procedure, see the instructions packaged with the unit or go to [www.jeld-wen.com/resources/installation](http://www.jeld-wen.com/resources/installation).

DISCLAIMER: This drawing and its contents are confidential and are not to be reproduced or copied in whole or in part or used or disclosed to others except as authorized by JELD-WEN Inc.



PROJECT ENGINEER:	DATE:	<b>JELD-WEN</b> 3737 LAKEPORT BLVD. KLAMATH FALLS OR, 97601 PHONE: (800) 535-3936		
DRAWN BY:	SCALE:			
CHECKED BY:	TITLE:	Premium Vinyl Multi-Slide Patio Door - HVHZ 4-Panel 2-Track XXXP Jamb		
APPROVED BY:				
PART/PROJECT No.:				
IDENTIFIER No.	PLANT NAME AND LOCATION:	CAD DWG. No.:	REV:	SHEET
110-16-158	Venice-FL	PremVinylMTSLDR2 Cert	A	

NAILFIN / THRU JAMB  
INSTALLATION



Max Frame	DP	IMPACT
195 7/8 x 95 7/8	+65/-70	YES

**Installation Notes:**

1. Seal flange/frame to substrate.
2. Use #8 PH or greater fastener through the nailfin with sufficient length to penetrate a minimum of 1 1/2" into the wood framing. For 2x wood frame substrate (min. S.G. = 0.42)
3. Use #8 PH or greater fastener through the pre-drilled holes in the head/sill tracks at the center (2) towers with sufficient length to penetrate a minimum of 1 1/2" into the wood framing. See additional details for location and spacing.
4. Host structure (wood buck, masonry, steel) to be designed and anchored to properly transfer all loads to the structure. The host structure is the responsibility of the architect or engineer of record for the project of installation.
5. Use #8 PH or greater fastener through hook strip 6" from ends and 12" from center.

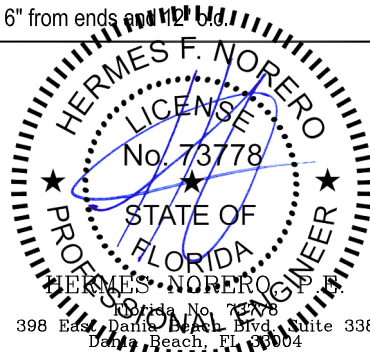
**General Notes:**

1. The product shown herein is designed, tested and manufactured to comply with the wind load criteria of the adopted International Building Code (IBC), the International Residential Code (IRC), the Florida Building Code (FBC) and the industry requirement for the stated conditions.
2. All glazing shall conform to ASTM E1300.
3. At minimum, glazing is 4.8mm tempered - 10.0mm airspace - 4.8mm annealed - 2.3mm SGP Interlayer by Dupont - 4.8mm annealed insulating glass.
4. Use structural or composite shims where required.

This schedule addresses only the fasteners required to anchor the unit to achieve the rated design pressure and impact performance (where applicable) up to the size limitations noted. It is not intended as a guide to the installation process and does not address the sealing consideration that may arise in different wall conditions. For the complete installation procedure, see the instructions packaged with the unit or go to [www.jeld-wen.com/resources/installation](http://www.jeld-wen.com/resources/installation).

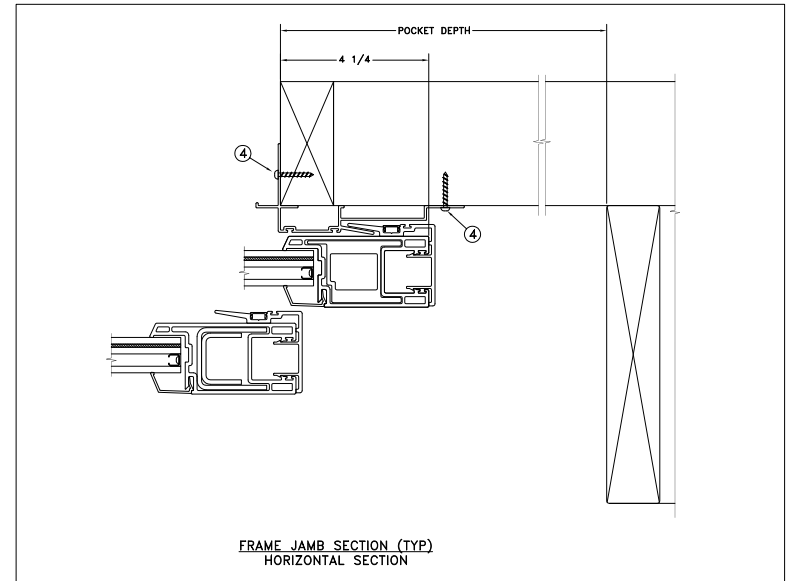
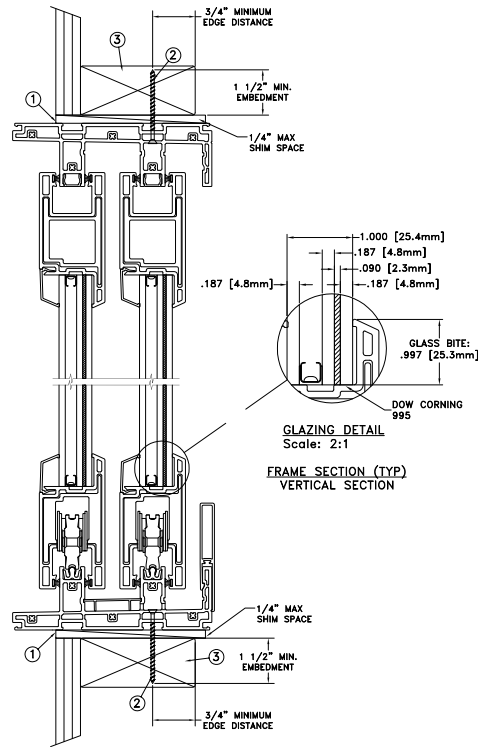
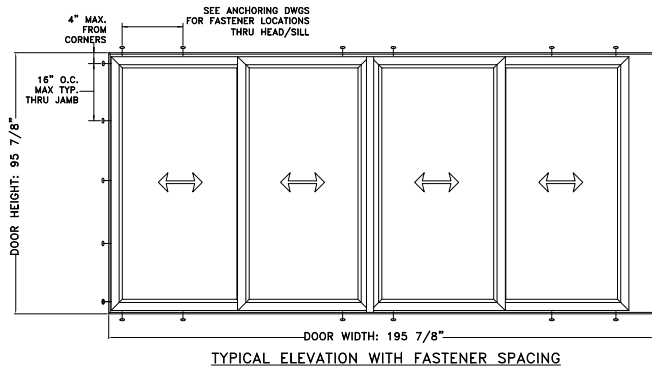
**DISCLAIMER:**

This drawing and its contents are confidential and are not to be reproduced or copied in whole or in part or used or disclosed to others except as authorized by JELD-WEN Inc.



PROJECT ENGINEER:	DATE:	<b>JELD WEN</b> 3737 LAKEPORT BLVD. KLAMATH FALLS OR, 97601 PHONE: (800) 535-3936		
	07/24/2017			
DRAWN BY:	SCALE:	Premium Vinyl Multi-Slide Patio Door - HVHZ 4-Panel 2-Track XXXP Pocket		
J.HAWKINS	NTS			
CHECKED BY:	TITLE:			
D.CROWELL				
APPROVED BY:		PLANT NAME AND LOCATION:		
J.GOOSSEN				
PART/PROJECT No.:				
D014778		CAD DWG. No.:	REV:	SHEET
IDENTIFIER No.		PremVinylMTSLDR2 Cert	A	
110-16-158		Venice-FL		

THRU JAMB INSTALLATION



Max Frame	DP	IMPACT
195 7/8 x 95 7/8	+65/-70	YES

**Installation Notes:**

1. Seal flange/frame to substrate.
2. Use #8 PH or greater fastener through the pre-drilled holes in the head/sill tracks at the center (2) towers with sufficient length to penetrate a minimum of 1 1/2" into the wood framing. See additional details for location and spacing. For 2X wood frame substrate (min. SG = 0.42)
3. Host structure (wood buck, masonry, steel) to be designed and anchored to properly transfer all loads to the structure. The host structure is the responsibility of the architect or engineer of record for the project of installation.
4. Use #8 PH or greater fastener through hook strip 6" from ends and 12" o.c.

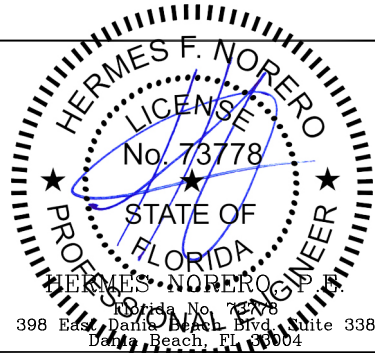
**General Notes:**

1. The product shown herein is designed, tested and manufactured to comply with the wind load criteria of the adopted International Building Code (IBC), the International Residential Code (IRC), the Florida Building Code (FBC) and the industry requirement for the stated conditions.
2. All glazing shall conform to ASTM E1300.
3. At minimum, glazing is 4.8mm tempered - 10.0mm airspace - 4.8mm annealed - 2.3mm SGP Interlayer by Dupont - 4.8mm annealed insulating glass.
4. Use structural or composite shims where required.

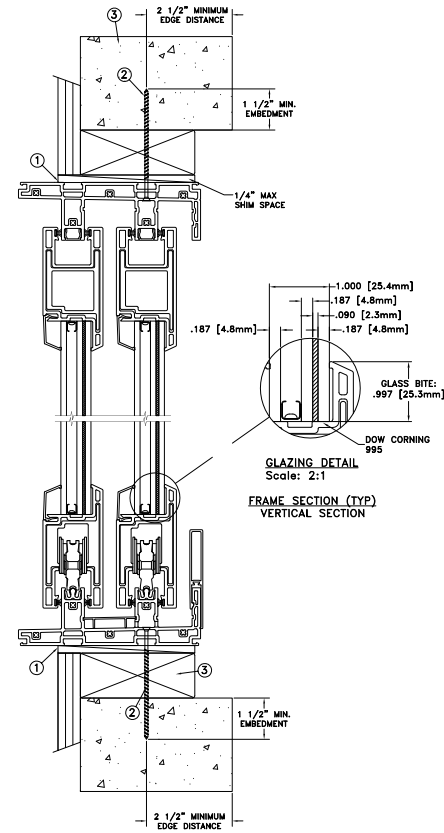
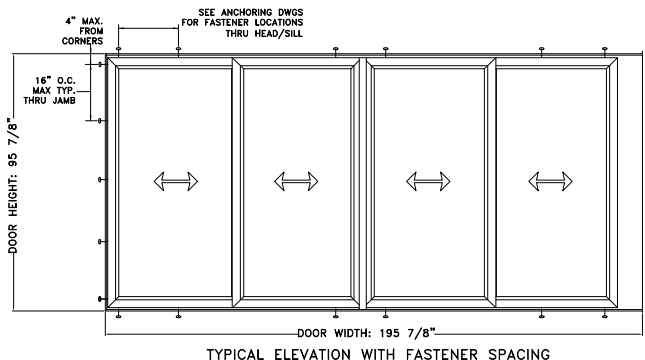
This schedule addresses only the fasteners required to anchor the unit to achieve the rated design pressure and impact performance (where applicable) up to the size limitations noted. It is not intended as a guide to the installation process and does not address the sealing consideration that may arise in different wall conditions. For the complete installation procedure, see the instructions packaged with the unit or go to [www.jeld-wen.com/resources/installation](http://www.jeld-wen.com/resources/installation).

**DISCLAIMER:**

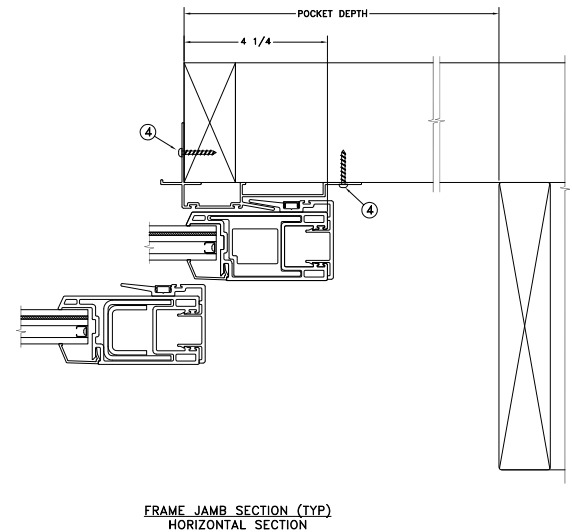
This drawing and its contents are confidential and are not to be reproduced or copied in whole or in part or used or disclosed to others except as authorized by JELD-WEN Inc.



PROJECT ENGINEER:	DATE:	3737 LAKEPORT BLVD.	
	07/24/2017	KLAMATH FALLS OR, 97601	
DRAWN BY:	SCALE:	PHONE: (800) 535-3936	
J.HAWKINS	NTS		
CHECKED BY:	TITLE:	Premium Vinyl Multi-Slide Patio Door - HVHZ 4-Panel 2-Track XXXP Pocket	
D.CROWELL			
APPROVED BY:			
J.GOOSSEN			
PART/PROJECT No.:			
D014778			
IDENTIFIER No.	PLANT NAME AND LOCATION:	CAD DWG. No.:	REV:
110-16-158	Venice-FL	PremVinylMTSLDR2 Cert	A
			SHEET



CONCRETE/MASONRY INSTALLATION



Max Frame	DP	IMPACT
195 7/8 x 95 7/8	+65/-70	YES

Installation Notes:

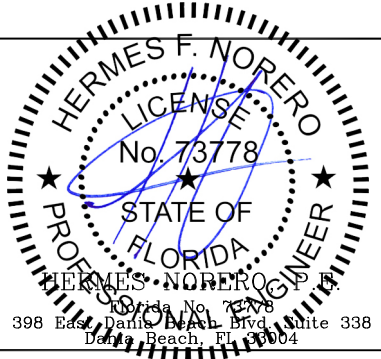
1. Seal flange/frame to substrate.
2. Use 3/16" Tapcon or equivalent fasteners through the pre-drilled holes in the head/sill tracks at the center (2) towers with sufficient length to penetrate a minimum of 1 1/2" into concrete or masonry at each location with a 2 1/2" min. from edge distance. For concrete (min. fc = 3000 psi) or masonry substrate (CMU shall adhere to ASTM C90).
3. Host structure (wood buck, masonry, steel) to be designed and anchored to properly transfer all loads to the structure. The host structure is the responsibility of the architect or engineer of record for the project of installation.
4. Use #8 PH or greater fastener through hook strip 6" from ends and 12" o.c.

General Notes:

1. The product shown herein is designed, tested and manufactured to comply with the wind load criteria of the adopted International Building Code (IBC), the International Residential Code (IRC), the Florida Building Code (FBC) and the industry requirement for the stated conditions.
2. All glazing shall conform to ASTM E1300.
3. At minimum, glazing is 4.8mm tempered - 10.0mm airspace - 4.8mm annealed - 2.3mm SGP Interlayer by Dupont - 4.8mm annealed insulating glass.
4. Use structural or composite shims where required.

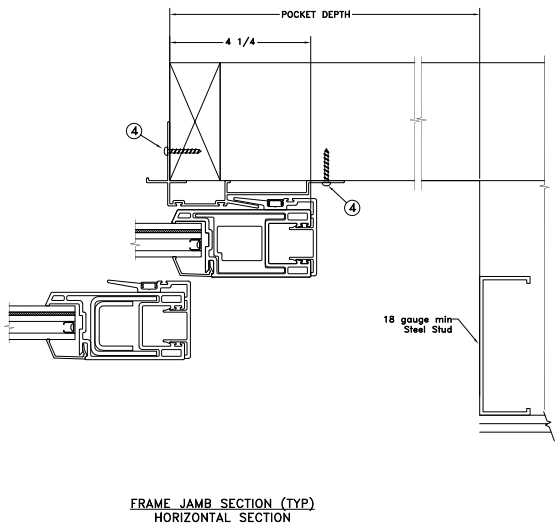
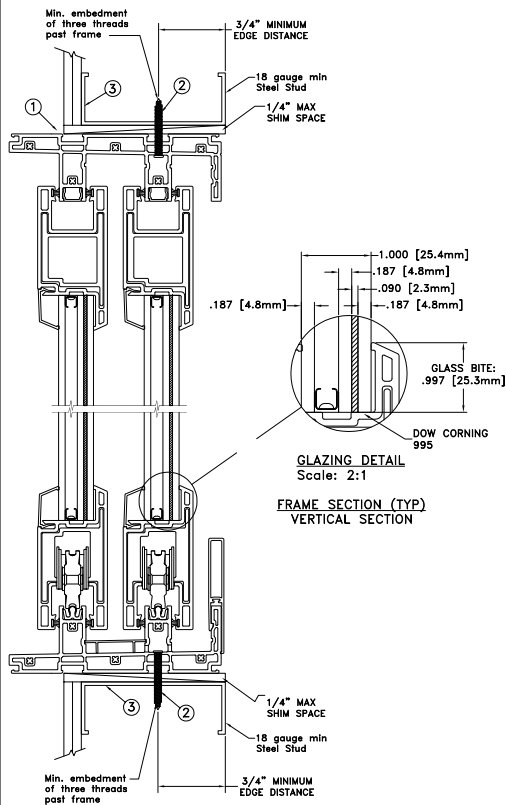
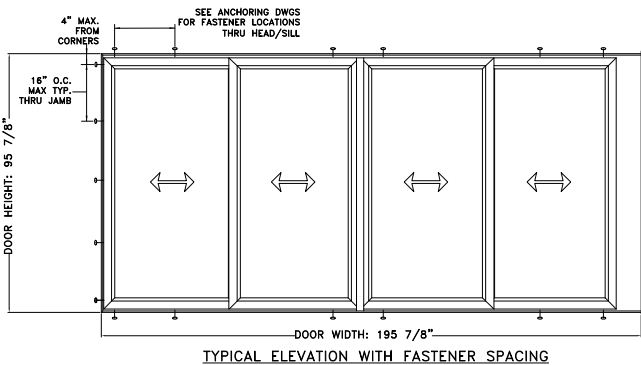
This schedule addresses only the fasteners required to anchor the unit to achieve the rated design pressure and impact performance (where applicable) up to the size limitations noted. It is not intended as a guide to the installation process and does not address the sealing consideration that may arise in different wall conditions. For the complete installation procedure, see the instructions packaged with the unit or go to [www.jeld-wen.com/resources/installation](http://www.jeld-wen.com/resources/installation).

DISCLAIMER: This drawing and its contents are confidential and are not to be reproduced or copied in whole or in part or used or disclosed to others except as authorized by JELD-WEN Inc.



PROJECT ENGINEER:	DATE:	<b>JELD WEN</b> 3737 LAKEPORT BLVD. KLAMATH FALLS OR, 97601 PHONE: (800) 535-3936		
	07/24/2017			
DRAWN BY:	SCALE:	Premium Vinyl Multi-Slide Patio Door - HVHZ 4-Panel 2-Track XXXP Pocket		
J.HAWKINS	NTS			
CHECKED BY:	TITLE:			
D.CROWELL				
APPROVED BY:	PART/PROJECT No.:	PLANT NAME AND LOCATION:		
J.GOOSSEN	D014778			
IDENTIFIER No.:	PLANT NAME AND LOCATION:	CAD DWG. No.:	REV:	SHEET
110-16-158	Venice-FL	PremVinylMTSLDR2 Cert	A	

STEEL INSTALLATION



Max Frame	DP	IMPACT
195 7/8 x 95 7/8	+65/-70	YES

Installation Notes:

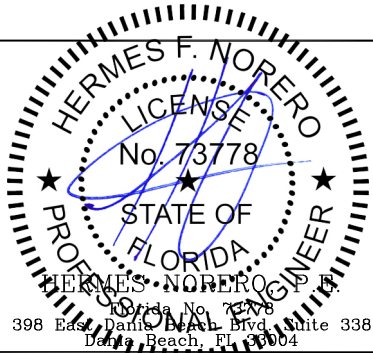
1. Seal flange/frame to substrate.
2. For anchoring into metal framing use #8 TEK Self-Tapping screws with sufficient length to achieve a minimum embedment of three threads past the frame thickness. Steel substrate min. 18ga., fy = 33 ksi.
3. Host structure (wood buck, masonry, steel) to be designed and anchored to properly transfer all loads to the structure. The host structure is the responsibility of the architect or engineer of record for the project of installation.
4. Use #8 PH or greater fastener through hook strip 6" from ends and 12" o.c.

General Notes:

1. The product shown herein is designed, tested and manufactured to comply with the wind load criteria of the adopted International Building Code (IBC), the International Residential Code (IRC), the Florida Building Code (FBC) and the industry requirement for the stated conditions.
2. All glazing shall conform to ASTM E1300.
3. At minimum, glazing is 4.8mm tempered - 10.0mm airspace - 4.8mm annealed - 2.3mm SGP Interlayer by Dupont - 4.8mm annealed insulating glass.
4. Use structural or composite shims where required.

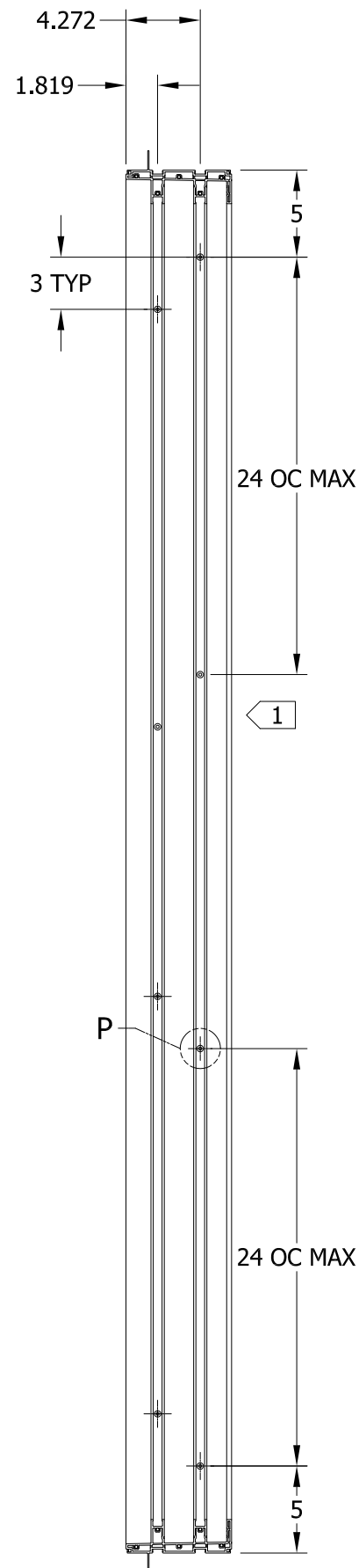
This schedule addresses only the fasteners required to anchor the unit to achieve the rated design pressure and impact performance (where applicable) up to the size limitations noted. It is not intended as a guide to the installation process and does not address the sealing consideration that may arise in different wall conditions. For the complete installation procedure, see the instructions packaged with the unit or go to [www.jeld-wen.com/resources/installation](http://www.jeld-wen.com/resources/installation).

DISCLAIMER:  
This drawing and its contents are confidential and are not to be reproduced or copied in whole or in part or used or disclosed to others except as authorized by JELD-WEN Inc.



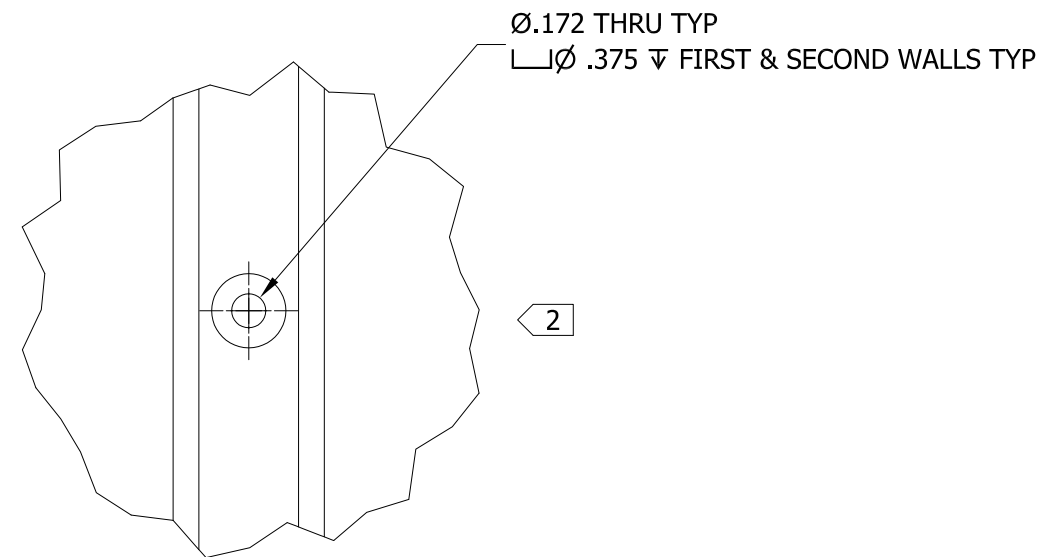
PROJECT ENGINEER:	DATE:	3737 LAKEPORT BLVD.	
	07/24/2017	KLAMATH FALLS OR, 97601	
DRAWN BY:	SCALE:	PHONE: (800) 535-3936	
J.HAWKINS	NTS		
CHECKED BY:	TITLE:	Premium Vinyl Multi-Slide Patio Door - HVHZ 4-Panel 2-Track XXXP Pocket	
D.CROWELL			
APPROVED BY:			
J.GOOSSEN			
PART/PROJECT No.:			
D014778			
IDENTIFIER No.	PLANT NAME AND LOCATION:	CAD DWG. No.:	REV:
110-16-158	Venice-FL	PremVinylMTSLDR2 Cert	A
			SHEET



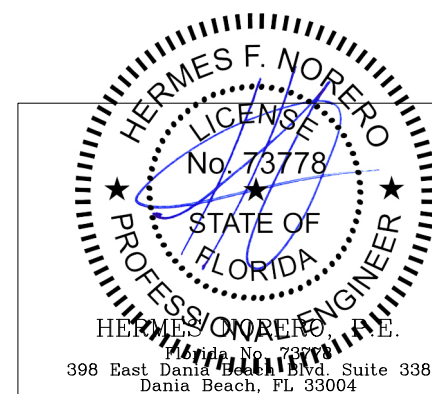


**NOTES:**

- 1. ANCHOR PATTERN LOCATED IN TRACKS 1 & 2 SHIFT AS DETAILED
- 1. HOLES TO BE OMITTED IF ON CENTER CALCULATIONS FALL WITHIN 2" OF KEEPER LOCATION
- 2. ALL HOLES IN ALL POSITIONS TO BE CENTERED WITHIN TRACK TOWERS IN JAMB
- 3. THRU FRAME INSTALLATION



**DETAIL P**  
SCALE 1 : 1



UNLESS SPECIFIED ALL DIMENSIONS IN INCHES  
DO NOT SCALE DRAWING - REPORT ANY ERRORS

TOLERANCES (UNLESS SPECIFIED OTHERWISE)	
COMPONENT / PART TOLERANCES	
UNDER 10'-0" ± 1/32	.X ± .1
OVER 10'-0" ± 1/16	.XX ± .02
ANGULAR ± 1°	.XXX ± .006
UNIT ASSEMBLY TOLERANCES	
HEIGHT ± 1/16	WIDTH ± 1/16
MULLION ± 1/16	FRACTION ± 1/32

PROJECT ENGINEER:  
**N HERTZOG**

DRAWN BY:  
**A BURWELL**

CHECKED BY:  
**J JONES**

APPROVED BY:  
**J JONES**

IDENTIFIER No.

DATE:  
9/11/2015

SCALE:  
1:10

TITLE:  
**2-TRACK FRAME  
MULTI-SLIDE PATIO DOOR  
JAMB ANCHOR HOLE DETAIL**

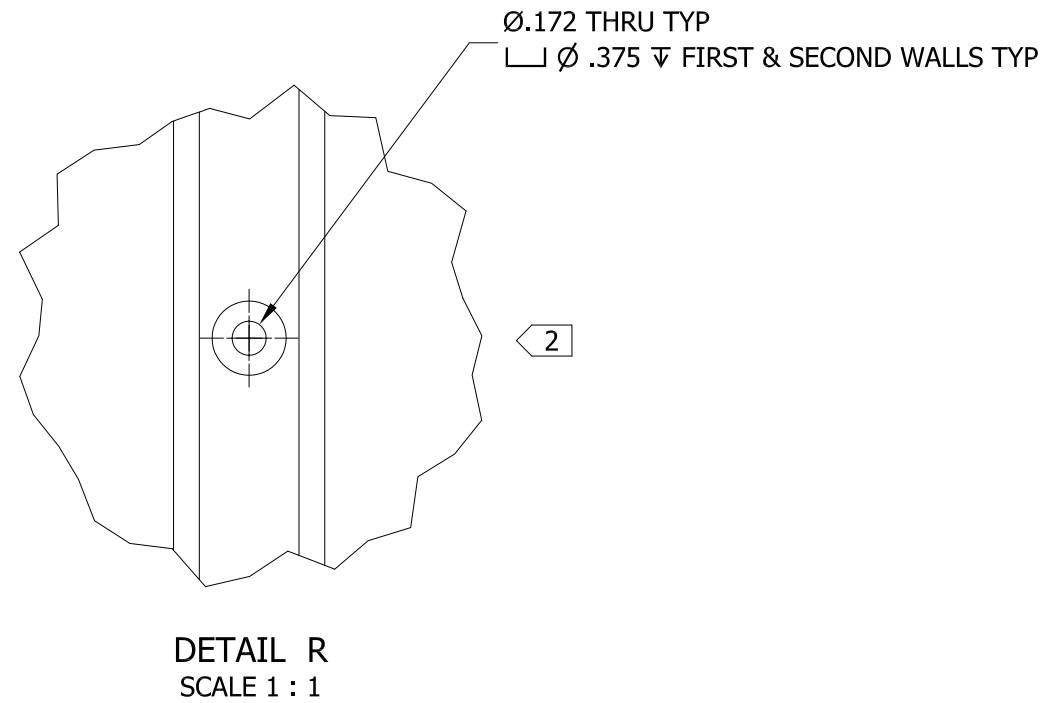
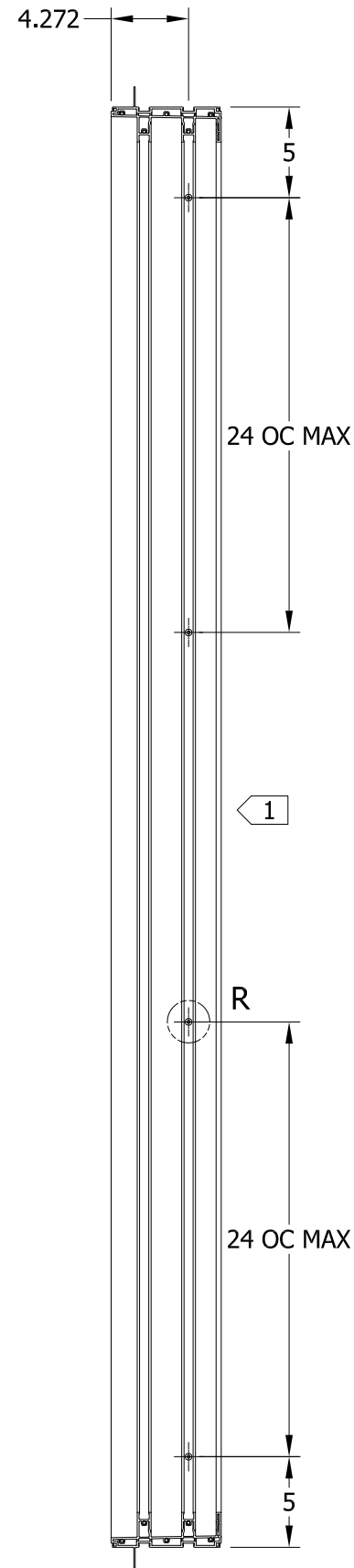
MODEL No.:  
P012967-199.ipt

DRAWING No.:  
**P012967**

© 2015 JELD-WEN, inc. ALL RIGHTS RESERVED. NO DUPLICATION OR DISTRIBUTION PERMITTED. JELD-WEN, inc. CONFIDENTIAL AND PROPRIETARY.

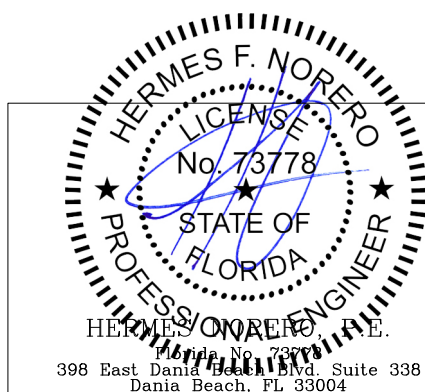
REV: **B** SHEET





**NOTES:**

- 1. ANCHOR PATTERN LOCATED IN TRACK 1 SHIFT AS DETAILED
- 1. HOLES TO BE OMITTED IF ON CENTER CALCULATIONS FALL WITHIN 2" OF KEEPER LOCATION
- 2. ALL HOLES IN ALL POSITIONS TO BE CENTERED WITHIN TRACK TOWERS IN JAMB
- 3. NAIL FIN INSTALLATION



UNLESS SPECIFIED ALL DIMENSIONS IN INCHES  
DO NOT SCALE DRAWING - REPORT ANY ERRORS

TOLERANCES (UNLESS SPECIFIED OTHERWISE)	
COMPONENT / PART TOLERANCES	
UNDER 10'-0" ± 1/32	.X ± .1
OVER 10'-0" ± 1/16	.XX ± .02
ANGULAR ± 1°	.XXX ± .006
UNIT ASSEMBLY TOLERANCES	
HEIGHT ± 1/16	WIDTH ± 1/16
MULLION ± 1/16	FRACTION ± 1/32

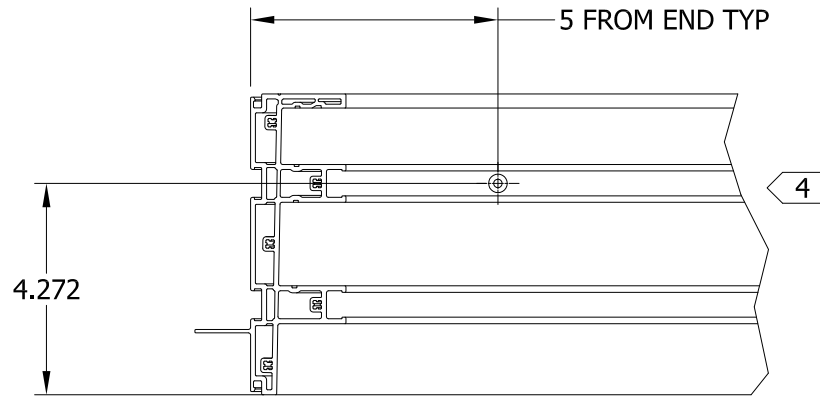
PROJECT ENGINEER: <b>N HERTZOG</b>
DRAWN BY: <b>A BURWELL</b>
CHECKED BY: <b>J JONES</b>
APPROVED BY: <b>J JONES</b>
IDENTIFIER No.

DATE: <b>9/11/2015</b>
SCALE: <b>1 : 10</b>
TITLE: <b>2-TRACK FRAME MULTI-SLIDE PATIO DOOR JAMB ANCHOR HOLES DETAIL</b>
MODEL No.: <b>P012967-198.ipt</b>
DRAWING No.: <b>P012967</b>
© 2015 JELD-WEN, inc. ALL RIGHTS RESERVED. NO DUPLICATION OR DISTRIBUTION PERMITTED. JELD-WEN, inc. CONFIDENTIAL AND PROPRIETARY.

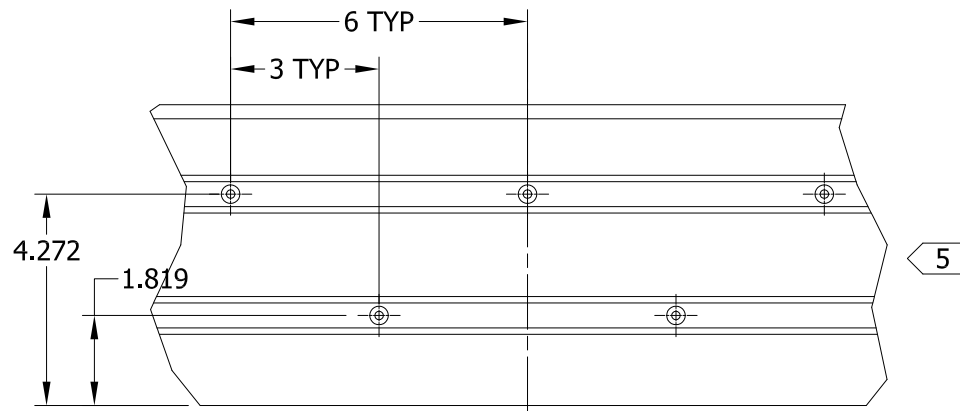
<b>JELD-WEN</b> WINDOWS & DOORS		3737 Lakeport Blvd. Klamath Falls, OR 97601 Phone: (541) 882-3451
REV: <b>B</b>	SHEET	

**NOTES:**

- 1 ALL HOLES IN ALL POSITIONS TO BE CENTERED WITHIN TRACK TOWERS AT HEAD OR SILL
- 2 TYP 1 ANCHOR PER PANEL LOCATED IN TRACK 1 TOWER AND ALIGNED WITH CENTER POINT OF EACH CLOSED POSITION PANEL
- 3 ANCHOR PATTERN LOCATED IN TRACK 1 & 2 TOWERS AT EACH INTERLOCK AREA
- 4 1 ANCHOR AT ENDS LOCATED IN TRACK 1 TOWER BOTH HEAD AND SILL
- 5 TYP 5 ANCHOR PATTERN LOCATED IN TRACK 1 & 2 TOWERS APPROXIMATE CENTER OF EACH CLOSED POSITION PANEL INTERLOCK AREA
- 6 CONFIGURATION FOR PG 60/65 DOORS WITH THRU FRAME INSTALL

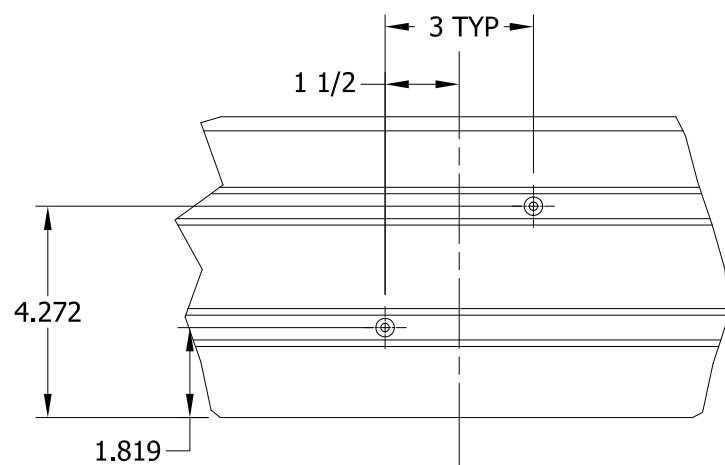


**EXT ↓** DETAIL AA  
SCALE 1 / 4



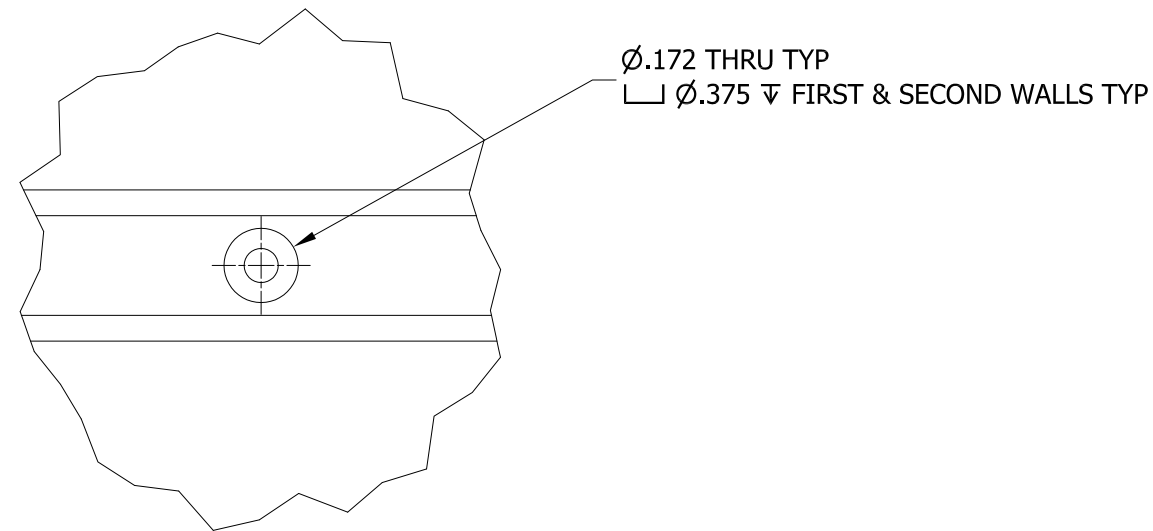
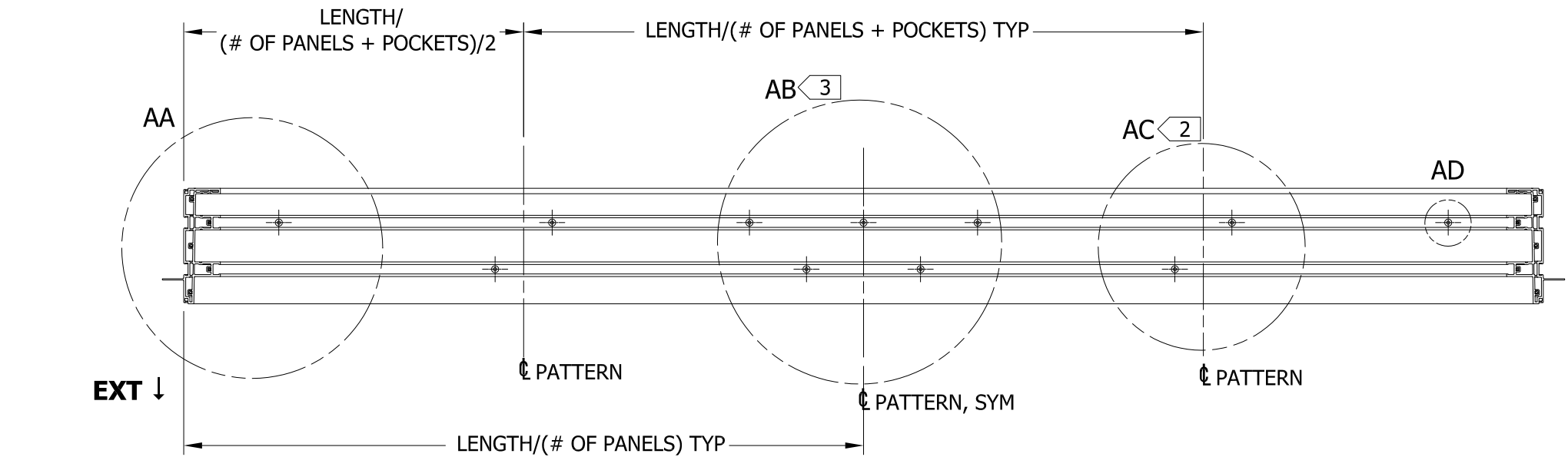
☺ PATTERN, SYM

**EXT ↓** DETAIL AB  
SCALE 1 / 4

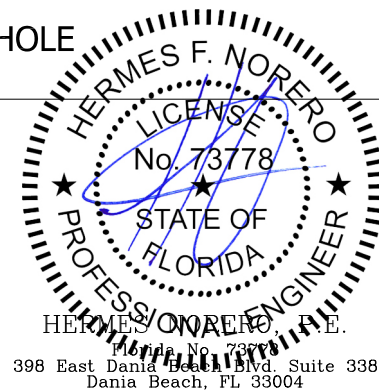


☺ PATTERN

**EXT ↓** DETAIL AC  
SCALE 1 / 4



DETAIL AD TYPICAL HOLE  
SCALE 1 / 1



UNLESS SPECIFIED ALL DIMENSIONS IN INCHES  
DO NOT SCALE DRAWING - REPORT ANY ERRORS

TOLERANCES (UNLESS SPECIFIED OTHERWISE)	
COMPONENT / PART TOLERANCES	
UNDER 10'-0" ± 1/32	.X ± .1
OVER 10'-0" ± 1/16	.XX ± .02
ANGULAR ± 1°	.XXX ± .006
UNIT ASSEMBLY TOLERANCES	
HEIGHT ± 1/16	WIDTH ± 1/16
MULLION ± 1/16	FRACTION ± 1/32

PROJECT ENGINEER:  
**N HERTZOG**

DRAWN BY:  
**A BURWELL**

CHECKED BY:  
**J JONES**

APPROVED BY:  
**J JONES**

IDENTIFIER No.

DATE:  
9/11/2015

SCALE:  
AS SHOWN



3737 Lakeport Blvd.  
Klamath Falls, OR 97601  
Phone: (541) 882-3451

TITLE:  
**2-TRACK FRAME  
MULTI-SLIDE PATIO DOOR  
SILL AND HEAD ANCHOR HOLES DETAIL**

MODEL No.:  
P012967-397.ipt

DRAWING No.:  
P012967

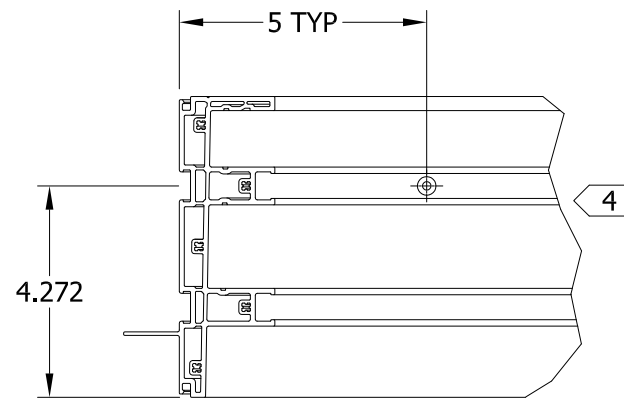
© 2015 JELD-WEN, inc. ALL RIGHTS RESERVED. NO DUPLICATION OR DISTRIBUTION PERMITTED. JELD-WEN, inc. CONFIDENTIAL AND PROPRIETARY.

REV: **B**

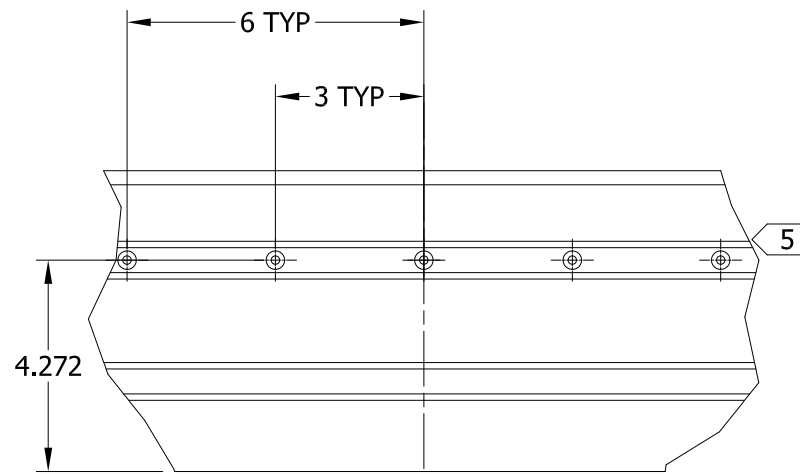
SHEET

**NOTES:**

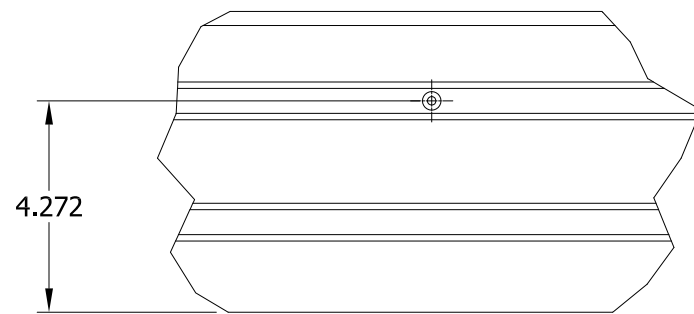
- 1 ALL HOLES IN ALL POSITIONS TO BE CENTERED WITHIN TRACK TOWERS AT HEAD OR SILL
- 2 TYP 1 ANCHOR PER PANEL LOCATED IN TRACK 1 TOWER AND ALIGNED WITH CENTER POINT OF EACH CLOSED POSITION PANEL
- 3 ANCHOR PATTERN LOCATED IN TRACK 1 TOWER AT EACH INTERLOCK AREA
- 4 1 ANCHOR AT ENDS LOCATED IN TRACK 1 TOWER BOTH HEAD AND SILL
- 5 TYP 5 ANCHOR PATTERN LOCATED IN TRACK 1 TOWER APPROXIMATE CENTER OF EACH CLOSED POSITION PANEL INTERLOCK AREA
- 6 CONFIGURATION FOR PG 60/65 DOORS WITH NAIL FIN INSTALL



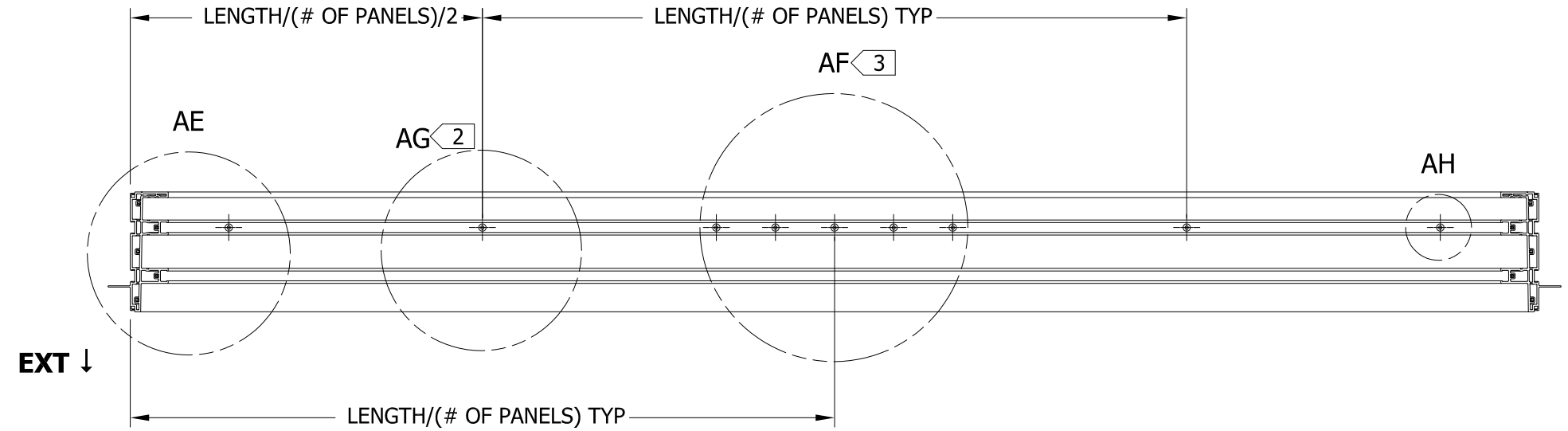
**EXT ↓** DETAIL AE  
SCALE 1 / 4



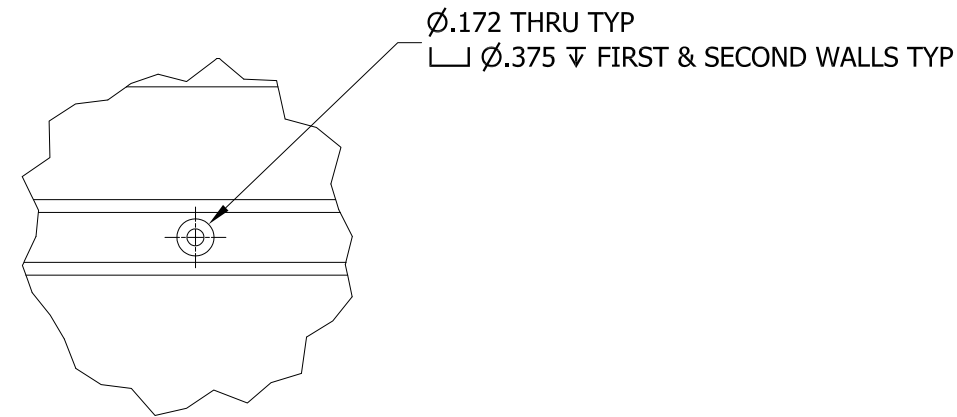
**EXT ↓** DETAIL AF  
SCALE 1 / 4



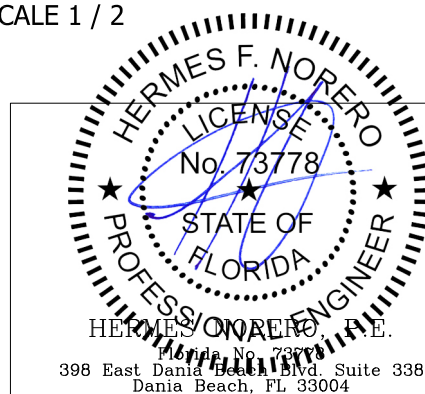
**EXT ↓** DETAIL AG  
SCALE 1 / 4



**EXT ↓**



DETAIL AH TYPICAL HOLE  
SCALE 1 / 2



UNLESS SPECIFIED ALL DIMENSIONS IN INCHES  
DO NOT SCALE DRAWING - REPORT ANY ERRORS

TOLERANCES (UNLESS SPECIFIED OTHERWISE)	
COMPONENT / PART TOLERANCES	
UNDER 10'-0" ± 1/32	.X ± .1
OVER 10'-0" ± 1/16	.XX ± .02
ANGULAR ± 1°	.XXX ± .006
UNIT ASSEMBLY TOLERANCES	
HEIGHT ± 1/16	WIDTH ± 1/16
MULLION ± 1/16	FRACTION ± 1/32

PROJECT ENGINEER:  
**N HERTZOG**

DRAWN BY:  
**A BURWELL**

CHECKED BY:  
**J JONES**

APPROVED BY:  
**J JONES**

IDENTIFIER No.

DATE:  
9/11/2015

SCALE:  
AS SHOWN

**JELD-WEN**  
WINDOWS & DOORS

3737 Lakeport Blvd.  
Klamath Falls, OR 97601  
Phone: (541) 882-3451

TITLE:  
**2-TRACK FRAME  
MULTI-SLIDE PATIO DOOR  
SILL AND HEAD ANCHOR HOLES DETAIL**

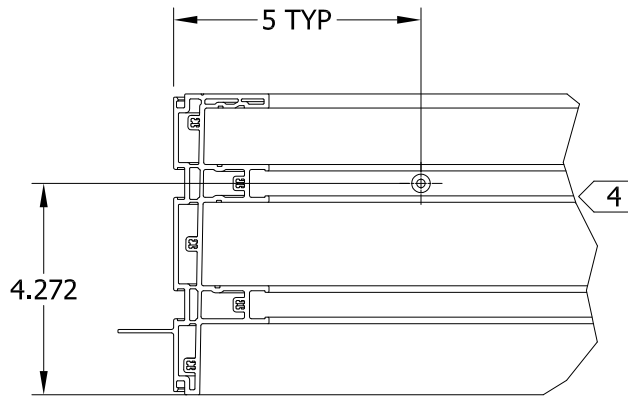
MODEL No.:  
P012967-396.ipt

DRAWING No.:  
P012967

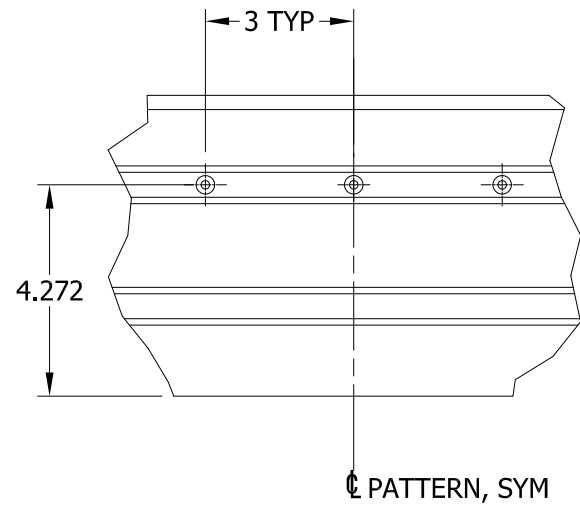
© 2015 JELD-WEN, inc. ALL RIGHTS RESERVED. NO DUPLICATION OR DISTRIBUTION PERMITTED. JELD-WEN, inc. CONFIDENTIAL AND PROPRIETARY.

REV: **B**

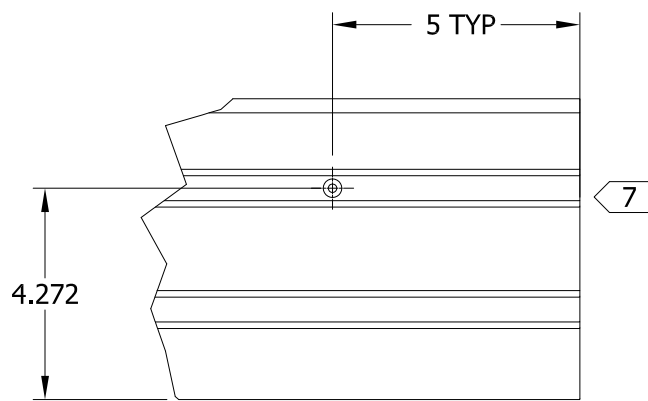
SHEET



**EXT ↓** DETAIL AN  
SCALE 1 / 4



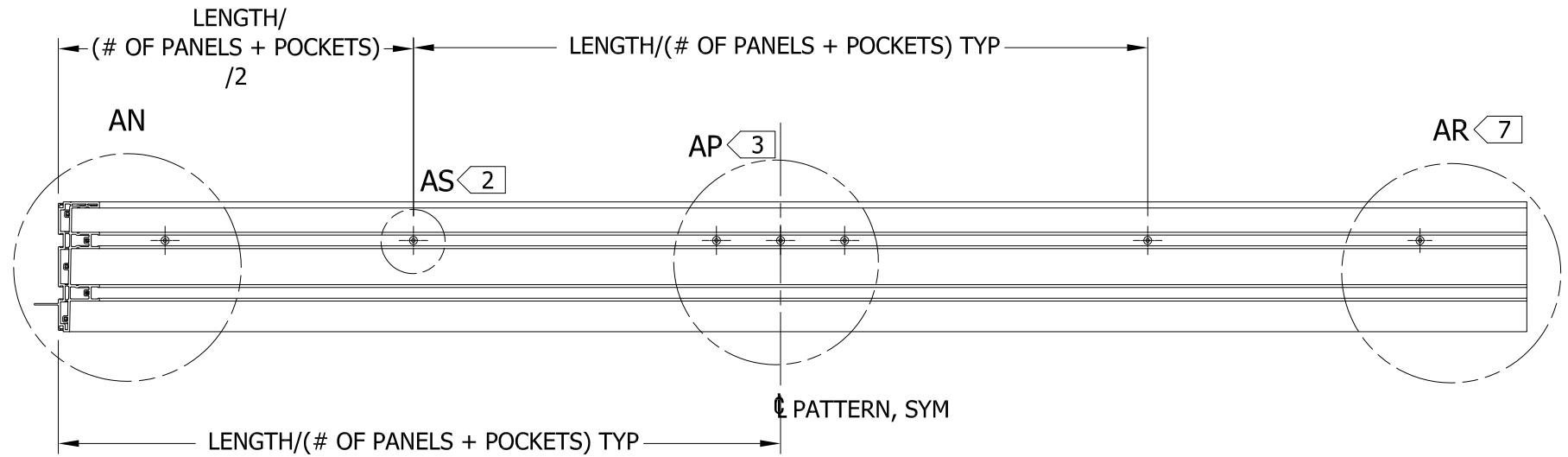
**EXT ↓** DETAIL AP  
SCALE 1 / 4



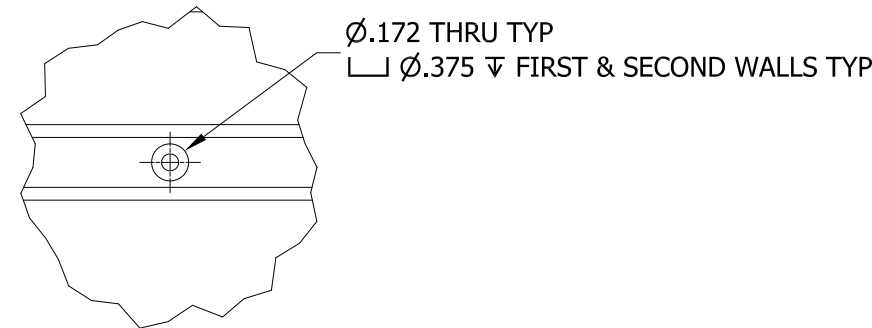
**EXT ↓** DETAIL AR  
SCALE 1 / 4

**NOTES:**

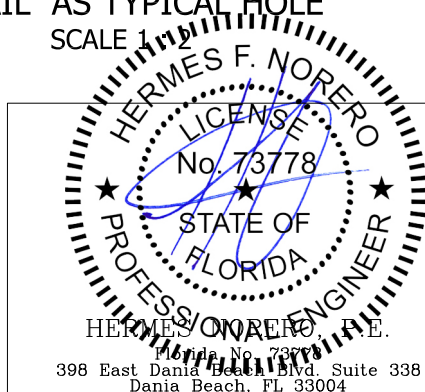
- 1 ALL HOLES IN ALL POSITIONS TO BE CENTERED WITHIN TRACK TOWERS AT HEAD OR SILL
- 2 TYP 1 ANCHOR PER PANEL LOCATED IN TRACK 1 TOWER AND ALIGNED WITH CENTER POINT OF EACH CLOSED POSITION PANEL
- 3 ANCHOR PATTERN LOCATED IN TRACK 1 TOWER AT EACH INTERLOCK AREA
- 4 1 ANCHOR AT ENDS LOCATED IN TRACK 1 TOWER BOTH HEAD AND SILL
- 5 TYP 3 ANCHOR PATTERN LOCATED IN TRACK 1 TOWER APPROXIMATE CENTER OF EACH CLOSED POSITION PANEL INTERLOCK AREA
- 6 CONFIGURATION FOR PG 60/65 POCKET DOORS WITH NAILFIN INSTALL
- 7 POCKET HEAD AND SILL END; MIRROR FOR 2-POCKET CONFIGURATIONS



**EXT ↓**



DETAIL AS TYPICAL HOLE  
SCALE 1 / 2



UNLESS SPECIFIED ALL DIMENSIONS IN INCHES  
DO NOT SCALE DRAWING - REPORT ANY ERRORS

TOLERANCES (UNLESS SPECIFIED OTHERWISE)	
COMPONENT / PART TOLERANCES	
UNDER 10'-0" ± 1/32	.X ± .1
OVER 10'-0" ± 1/16	.XX ± .02
ANGULAR ± 1°	.XXX ± .006
UNIT ASSEMBLY TOLERANCES	
HEIGHT ± 1/16	WIDTH ± 1/16
MULLION ± 1/16	FRACTION ± 1/32

PROJECT ENGINEER:  
**N HERTZOG**

DRAWN BY:  
**A BURWELL**

CHECKED BY:  
**J JONES**

APPROVED BY:  
**J JONES**

IDENTIFIER No.

DATE:  
9/11/2015

SCALE:  
AS SHOWN



3737 Lakeport Blvd.  
Klamath Falls, OR 97601  
Phone: (541) 882-3451

TITLE:  
**2-TRACK FRAME  
MULTI-SLIDE PATIO DOOR  
SILL AND HEAD ANCHOR HOLES DETAIL**

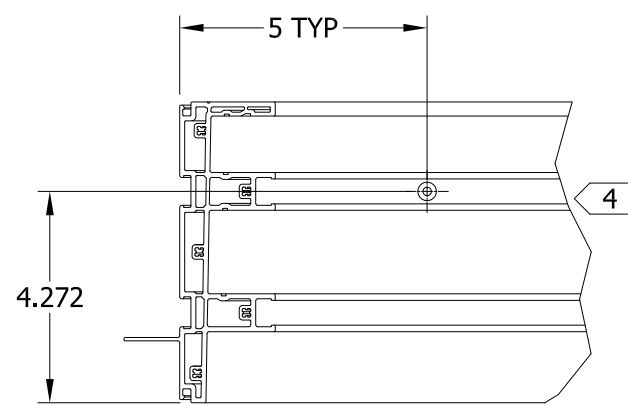
MODEL No.: **P012967-324.ipt** DRAWING No.: **P012967**

© 2015 JELD-WEN, inc. ALL RIGHTS RESERVED. NO DUPLICATION OR DISTRIBUTION PERMITTED. JELD-WEN, inc. CONFIDENTIAL AND PROPRIETARY.

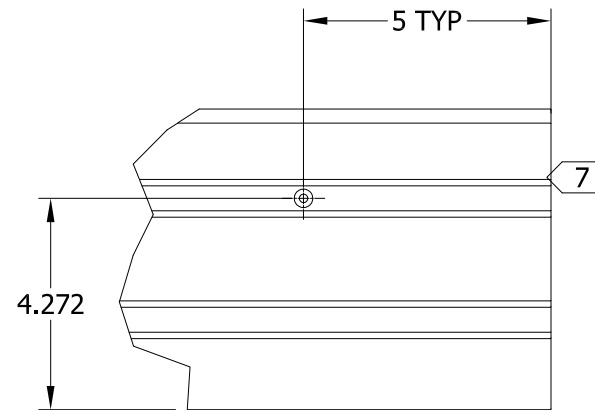
REV: **B** SHEET

**NOTES:**

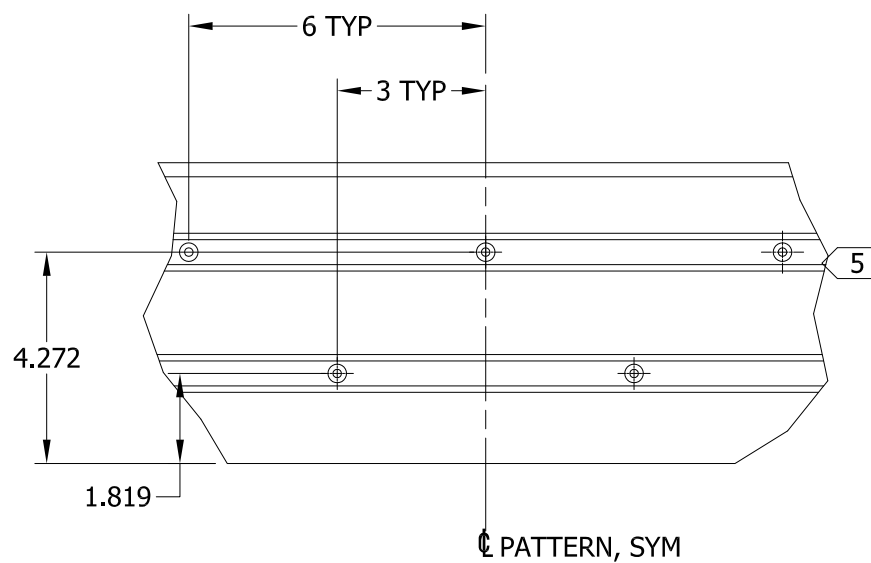
- 1 ALL HOLES IN ALL POSITIONS TO BE CENTERED WITHIN TRACK TOWERS AT HEAD OR SILL
- 2 TYP 2 ANCHORS PER PANEL LOCATED IN TRACK 1 & 2 AND ALIGNED WITH CENTER POINT OF EACH CLOSED POSITION PANEL
- 3 ANCHOR PATTERN LOCATED IN TRACK 1 & 2 TOWERS AT EACH INTERLOCK AREA
- 4 1 ANCHOR AT ENDS LOCATED IN TRACK 1 TOWER BOTH HEAD AND SILL
- 5 TYP 5 ANCHOR PATTERN LOCATED IN TRACK 1 & 2 TOWERS APPROXIMATE CENTER OF EACH CLOSED POSITION PANEL INTERLOCK AREA
- 6 CONFIGURATION FOR PG 60/65 POCKET DOORS WITH THRU FRAME INSTALL
- 7 POCKET HEAD AND SILL END; MIRROR FOR 2-POCKET CONFIGURATIONS



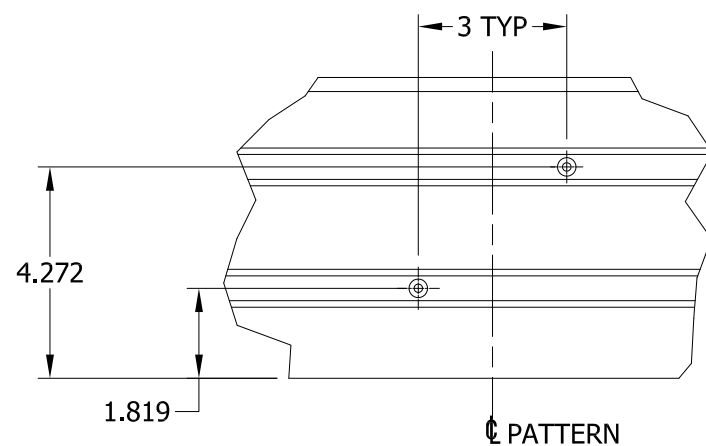
**EXT ↓** DETAIL AU  
SCALE 1 / 4



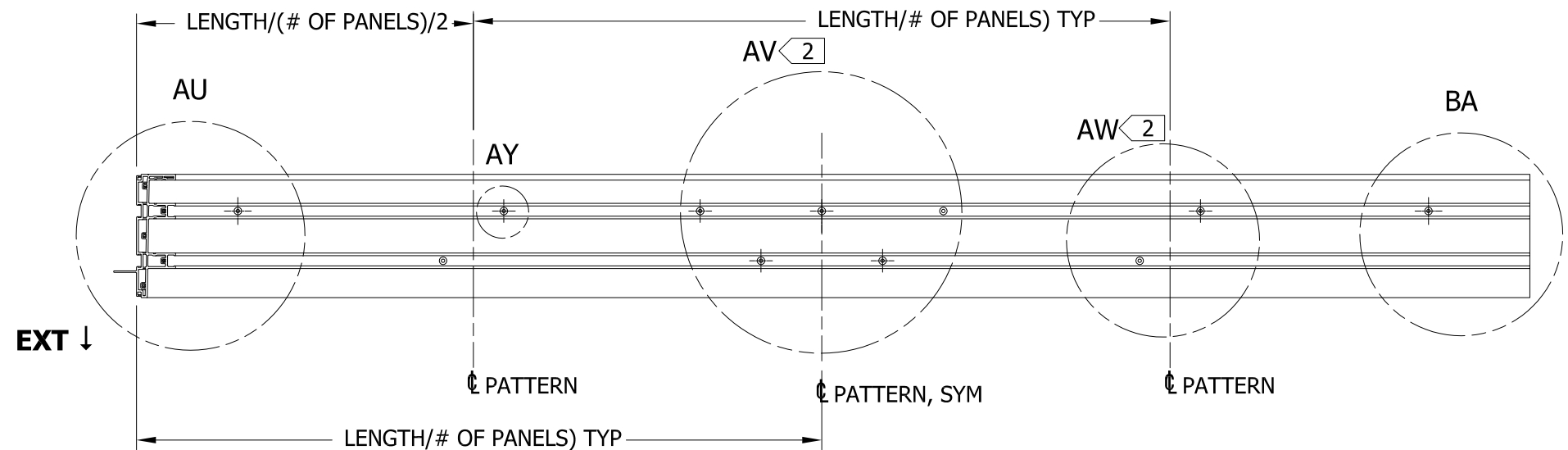
**EXT ↓** DETAIL BA  
SCALE 1 / 4



**EXT ↓** DETAIL AV  
SCALE 1 / 4

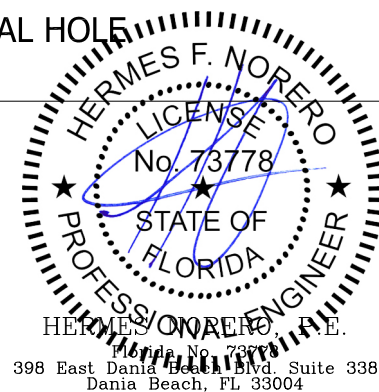
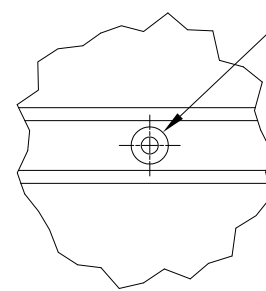


**EXT ↓** DETAIL AW  
SCALE 1 / 4



Ø.172 THRU TYP  
└─┘ Ø.375 ▽ FIRST & SECOND TYP

DETAIL AY TYPICAL HOLE  
SCALE 1 / 2



UNLESS SPECIFIED ALL DIMENSIONS IN INCHES  
DO NOT SCALE DRAWING - REPORT ANY ERRORS

TOLERANCES (UNLESS SPECIFIED OTHERWISE) COMPONENT / PART TOLERANCES	
UNDER 10'-0" ± 1/32	.X ± .1
OVER 10'-0" ± 1/16	.XX ± .02
ANGULAR ± 1°	.XXX ± .006
UNIT ASSEMBLY TOLERANCES	
HEIGHT ± 1/16	WIDTH ± 1/16
MULLION ± 1/16	FRACTION ± 1/32

PROJECT ENGINEER:  
**N HERTZOG**  
DRAWN BY:  
**A BURWELL**  
CHECKED BY:  
**J JONES**  
APPROVED BY:  
**J JONES**  
IDENTIFIER No.

DATE:  
9/11/2015  
SCALE:  
AS SHOWN

**JELD-WEN**  
WINDOWS & DOORS  
3737 Lakeport Blvd.  
Klamath Falls, OR 97601  
Phone: (541) 882-3451

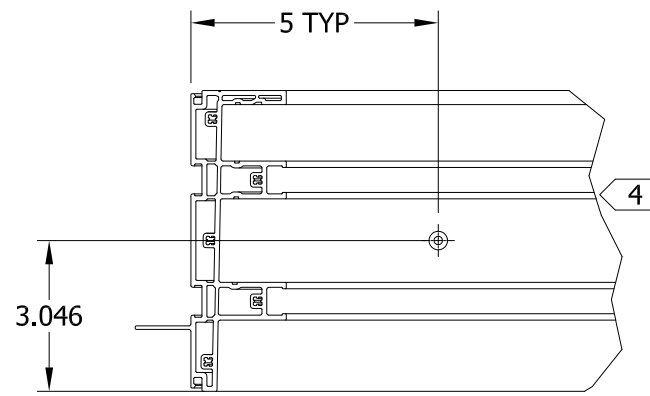
TITLE:  
**2-TRACK FRAME  
MULTI-SLIDE PATIO DOOR  
SILL AND HEAD ANCHOR HOLES DETAIL**

MODEL No.: **P012967-334.ipt** DRAWING No.: **P012967**

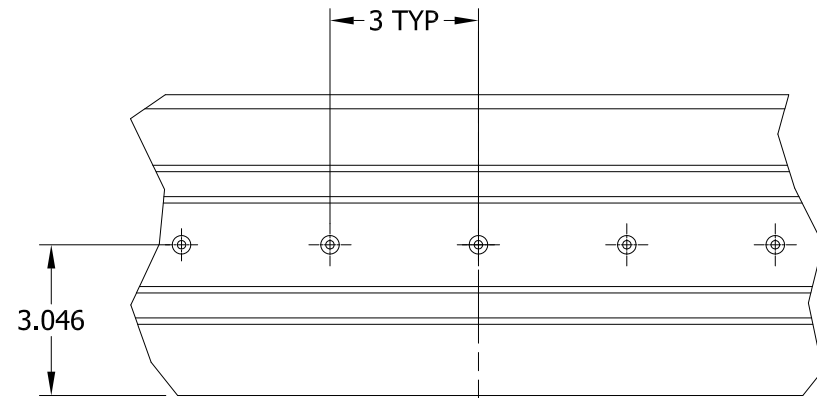
© 2015 JELD-WEN, inc. ALL RIGHTS RESERVED. NO DUPLICATION OR DISTRIBUTION PERMITTED. JELD-WEN, inc. CONFIDENTIAL AND PROPRIETARY. REV: **B** SHEET

**NOTES:**

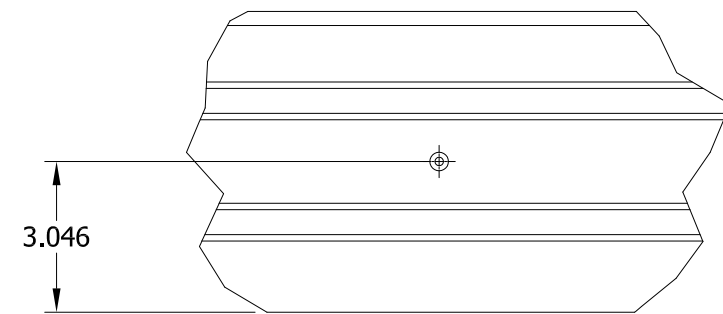
- 1 ALL HOLES IN ALL POSITIONS TO BE CENTERED BETWEEN TRACK TOWERS AT SILL
- 2 TYP 1 ANCHOR PER PANEL LOCATED BETWEEN TRACK TOWERS AND ALIGNED WITH CENTER POINT OF EACH CLOSED POSITION PANEL
- 3 ANCHOR PATTERN LOCATED BETWEEN THE TRACK TOWERS AT EACH INTERLOCK AREA
- 4 1 ANCHOR AT ENDS LOCATED BETWEEN TRACK TOWERS ON SILL
- 5 TYP 5 ANCHOR PATTERN LOCATED BETWEEN TRACK TOWERS APPROXIMATE CENTER OF EACH CLOSED POSITION PANEL INTERLOCK AREA
- 6 CONFIGURATION FOR WELDED FRAME PG 60/65 DOORS WITH NAIL FIN OR THRU FRAME INSTALL
- 7 HEAD AND JAMB FOLLOW PG 60/65 FOR THRU FRAME OR NAIL FIN INSTALLATION



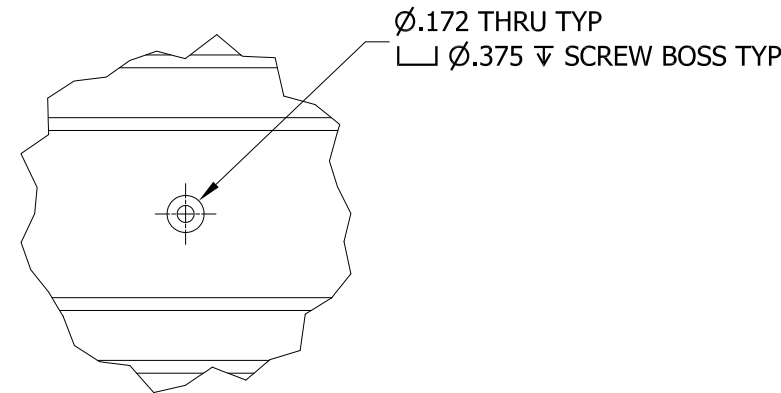
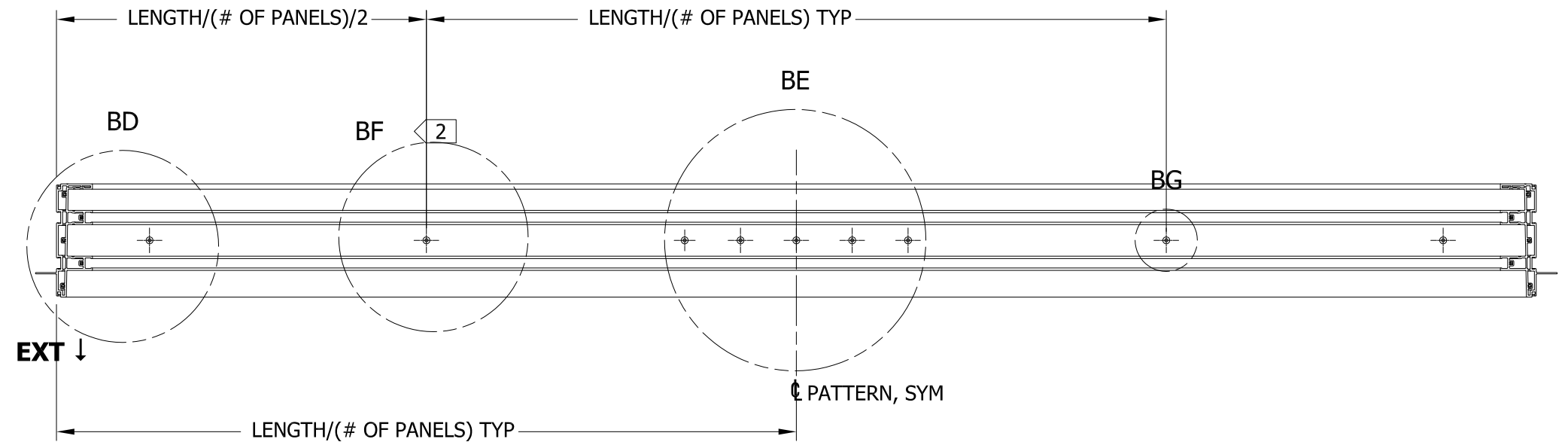
**EXT ↓**  
DETAIL BD  
SCALE 1 / 4



**EXT ↓**  
DETAIL BE  
SCALE 1 / 4



**EXT ↓**  
DETAIL BF  
SCALE 1 / 4



DETAIL BG TYPICAL HOLE  
SCALE 1 / 2

HERMES F. NORERO  
LICENSED PROFESSIONAL ENGINEER  
No. 73778  
STATE OF FLORIDA  
HERMES F. NORERO, E.  
398 East Dania Beach Blvd, Suite 338  
Dania Beach, FL 33004

UNLESS SPECIFIED ALL DIMENSIONS IN INCHES  
DO NOT SCALE DRAWING - REPORT ANY ERRORS

TOLERANCES (UNLESS SPECIFIED OTHERWISE)	
COMPONENT / PART TOLERANCES	
UNDER 10'-0" ± 1/32	.X ± .1
OVER 10'-0" ± 1/16	.XX ± .02
ANGULAR ± 1°	.XXX ± .006

UNIT ASSEMBLY TOLERANCES	
HEIGHT ± 1/16	WIDTH ± 1/16
MULLION ± 1/16	FRACTION ± 1/32

PROJECT ENGINEER:  
**N HERTZOG**

DRAWN BY:  
**A BURWELL**

CHECKED BY:  
**J JONES**

APPROVED BY:  
**J JONES**

IDENTIFIER No.

DATE:  
9/11/2015

SCALE:  
AS SHOWN

TITLE:

MODEL No.:

P012967-451.ipt

**JELD-WEN**  
WINDOWS & DOORS  
3737 Lakeport Blvd.  
Klamath Falls, OR 97601  
Phone: (541) 882-3451

2-TRACK FRAME  
MULTI-SLIDE PATIO DOOR  
6 SILL ANCHOR HOLES DETAIL

DRAWING No.: **P012967**

© 2015 JELD-WEN, inc. ALL RIGHTS RESERVED. NO DUPLICATION OR DISTRIBUTION PERMITTED. JELD-WEN, inc. CONFIDENTIAL AND PROPRIETARY.

REV: **B** SHEET